

# SIM

## Sensor Interface Module



The Sensor Interface Module (SIM) provides an interface between sensors such as occupancy and photosensors to the GreenBus communication network.

The SIM automatically detects and adjusts itself to the type of sensor it is wired to (i.e. photo sensor or occupancy sensor) and establishes two-way communication between the Wired Manager and itself. Individually addressable, the SIM enables each sensor to be independently configured to best meet the needs of the facility.

A damp-rated SIM is available for installations in interior locations subject to moderate degrees of moisture. Examples of this type of environment may include basements, above-ground parking garages, barns, and cold-storage warehouses as well as partially protected locations under canopies, marquees, and open-roofed porches.

Date: \_\_\_\_\_

Quantity: \_\_\_\_\_

Company: \_\_\_\_\_

Project: \_\_\_\_\_

### Key Features & Benefits

- Suitable for luminaire or junction box mounting in standard 0.5 inch (Pg-7) knockout (0.875 inch / 0.034 mm diameter)
- Connects to the Encelium X Light Management System via GreenBus communication cable
- Automatically detects and adjusts itself to the type of sensor it is connected to
- Acts as a single dry contact input for interfacing with third party systems like Fire Alarm, Security, etc.
- Automatically addressed as soon as it is connected to an Encelium X Manager
- Works with:
  - Encelium X
  - Encelium Extend

## Specifications

---

### SENSING AND CONTROL

#### Communication

- Connects to the Encelium X Networked Light Management System via two ports that accept pre-terminated GreenBus Communication Cable

### ELECTRICAL

#### Operating Temperature

- 14° - 104°F (-10° - 40°C)

#### Power

- Interconnected 18 AWG GreenBus cable

#### Voltage

- Class 2 Low-Voltage Device

### ENVIRONMENTAL

#### Operating Temperature

- 40° - 131°F (40° - 55°C)

### PHYSICAL

#### Dimensions (H x W x D)

- 0.62 x 1.18 x 2.38 inch (15.7 x 30 x 60.7 mm)

#### Mounting Option

- Suitable for luminaire or junction box mounting in standard 0.5 inch (Pg-7) knockout (0.875 inch / 0.034 mm diameter)

### WARRANTY

- For warranty details, refer to the full warranty documentation at [www.encelium.com](http://www.encelium.com)

### CERTIFICATIONS & SAFETY

#### Approbations

- cUL Listed
- UL916 Energy Management Equipment
- UL2043 Heat and Smoke Release for Air-Handling Spaces
- FCC Part 15/ICES-003

#### Complies with Electromagnetic Compatibility (EMC) Standards:

- EN 61000-4-2
- EN 61000-4-4
- EN 61000-4-5



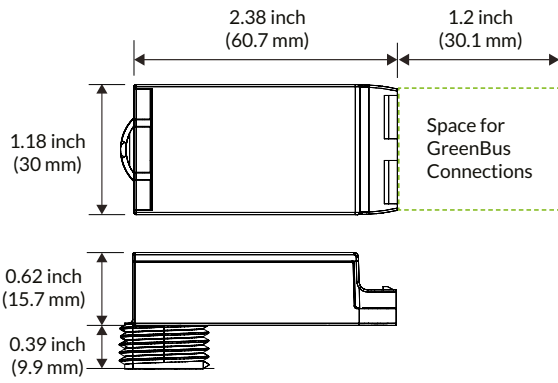
## Ordering Information

---

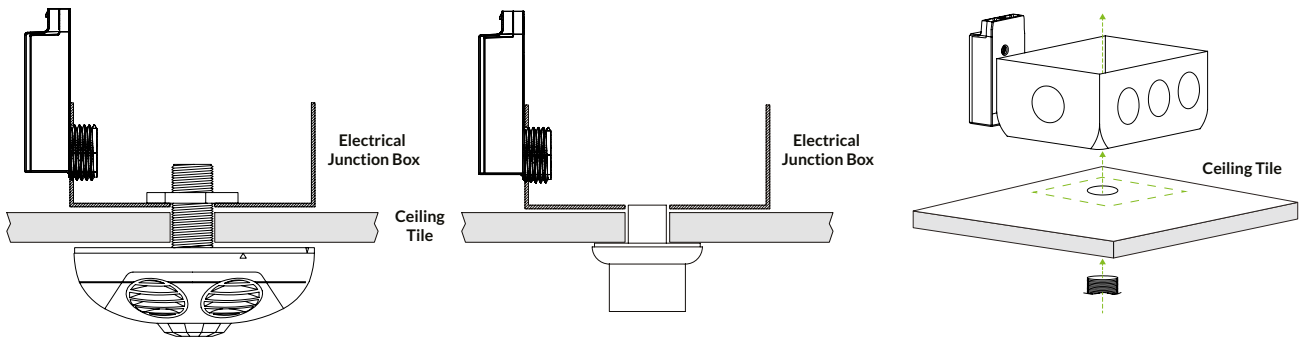
Item Number	Ordering Code	Description	Communication Network	Modifiers
45246	EN-SIM-AI/SPS-GB2-BK	Sensor Interface Module	GreenBus	Black (BK)
45247	EN-SIM-AI/SPS-GB2-BK-DR	Sensor Interface Module	GreenBus	Black/Damp-Rated (BK/DR)

---

## Dimensions



## Installation Diagrams



## Wiring Diagram

