

LCM

Wired Luminaire Control Module

Date: _____

Quantity: _____

Company: _____

Project: _____



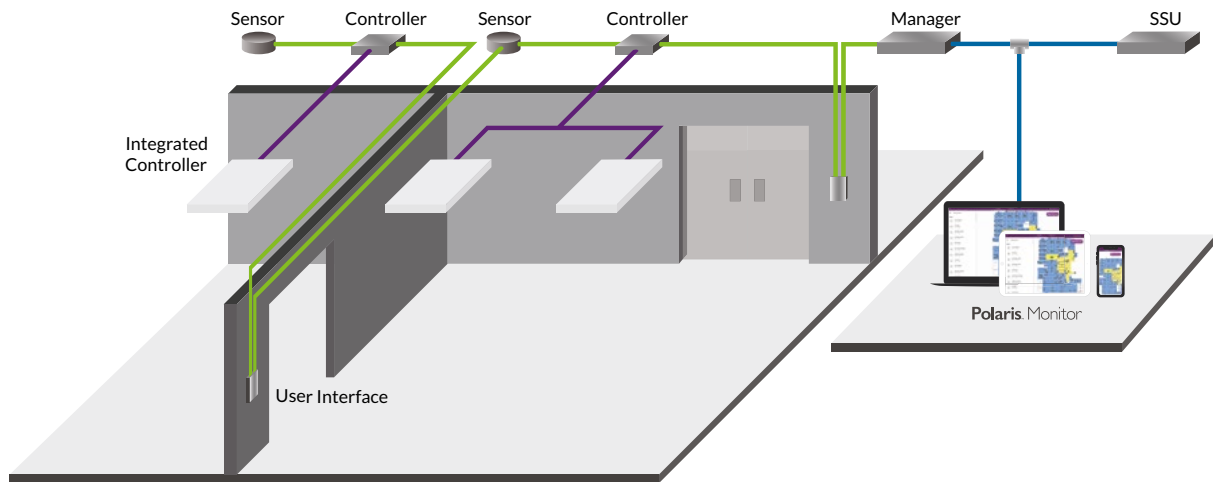
The Wired Luminaire Control Module (LCM) is a 0-10V luminaire level load controller with an internal relay capable of switching AC loads. Similar to other GreenBus™ devices, the LCM receives power and communication from the Wired Manager. The device is configured to meet the lighting control strategies using Polaris™ software.

Key Features & Benefits

- Self-contained relay switches AC loads
- Single 0-10V dimming line capable of sinking 25mA
- Designed to mount in a standard 0.5 inch (Pg-7) knockout in luminaires or junction box
- Adjusts light levels to respond to variable lighting requirements
- Enables scheduling luminaire group operation to lower energy use during off-peak occupancy
- Customizing lighting scenes for tailored experiences/tasks
- Works with:
 - Encelium X
 - Encelium Extend

Wired System Overview

GreenBus technology makes wiring fast and error-free, since it's intuitive to install. With Encelium X, you can control DALI devices exclusively or a mixture of GreenBus and DALI. With any Encelium wired design, you get a reliable, on-site light management system that can be installed quickly and easily.



Specifications

SENSING AND CONTROL

Control Options

- Single 0-10V dimming output (IEC 60929 Annex E). Capable of sinking 25mA (this is equivalent to 10 typical dimming ballasts/drivers)¹
- Connects to the Encelium X Networked Light Management System via two ports that accept pre-terminated GreenBus™ Communication Cable

ELECTRICAL

Absolute Maximum Ratings

- 2.5A 120 – 480 VAC Electronic Ballast
- 4.5A 120 – 480 VAC Ballast
- 4.5A 120 – 480 VAC Resistive
- 4.5A 120 – 480 VAC Tungsten
- 4.5A 120 – 480 VAC General Purpose

ENVIRONMENTAL

Operating Temperature

- -40° – 131°F (-40° – 55°C)

PHYSICAL

Dimensions (H x W x L)

- 0.62 x 1.18 x 2.28 inch (15.7 x 30 x 60.7 mm)

Mounting

- Suitable for luminaire or junction box mounting in 0.5 inch (Pg-7) trade size knockout – Ø 0.875 inch (22.2 mm)

WARRANTY

- For warranty details, refer to the full warranty documentation at www.encelium.com

CERTIFICATIONS & SAFETY

Approbations

- UL916 cUL US Listed (Energy Management Equipment)
- UL924 cUL US Listed (Emergency Lighting Equipment)
- UL2043 Plenum Rated
- FCC Part 15/ICES-003

Complies with Electromagnetic Compatibility

(EMC) Standards:

- EN 61000-4-2
- EN 61000-4-4
- EN 61000-4-5



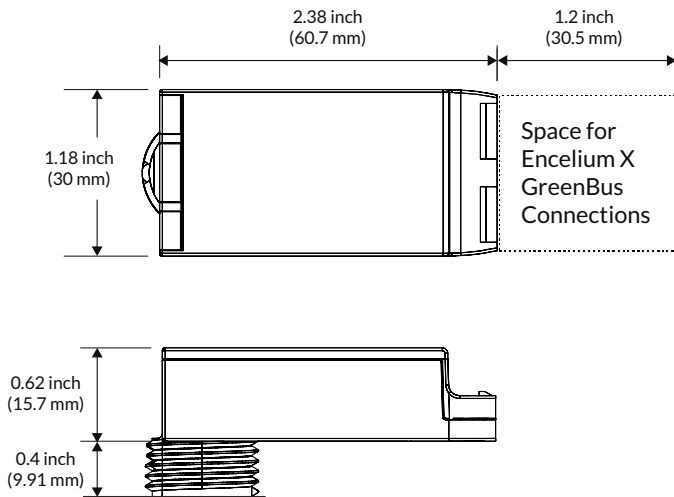
Footnotes:

¹ Maximum wire length: 100 ft (30 m), Class 2 only.

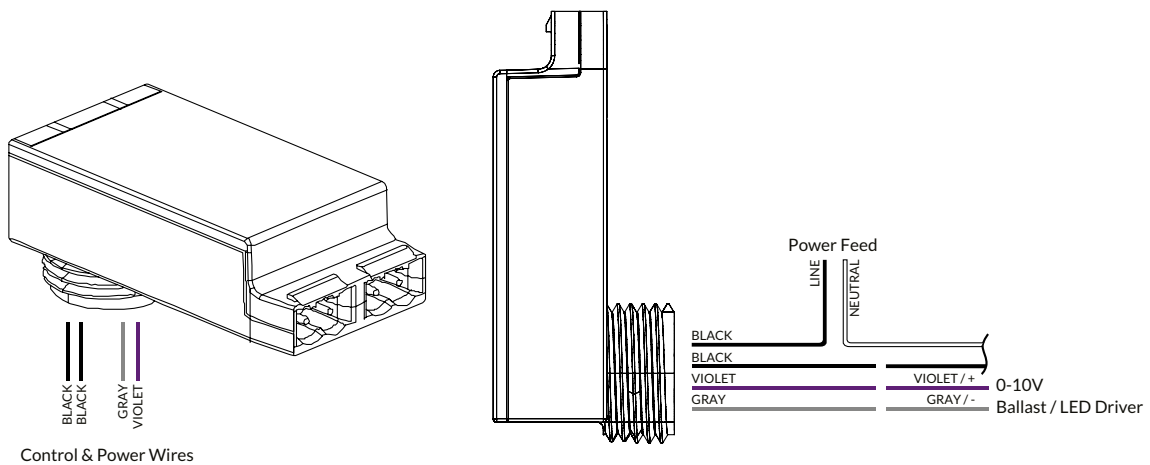
Ordering Information

Item Number	Ordering Code	Description	Communication Network	Modifiers
45552	EN-ILCM-1R10V-GB2-BK	Luminaire Control Module	GreenBus	Black Housing (BK)
45553	EN-ILCM-1R10V-GB2-BKDR	Luminaire Control Module	GreenBus	Black Housing/Damp Rated (BK/DR)

Dimensions



Wiring Diagrams



Wiring Information

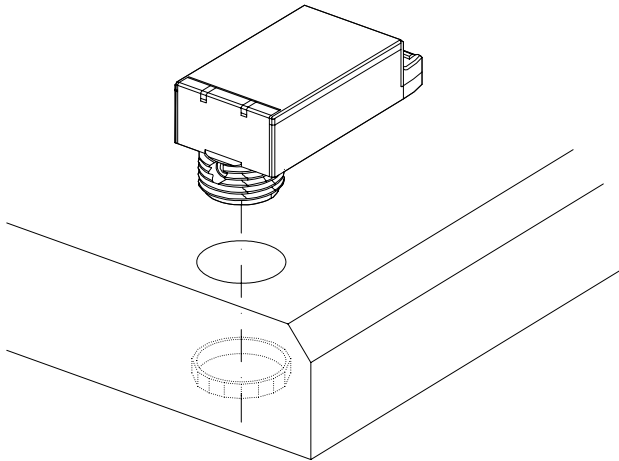
Wire Color	Function	Wire Gauge
Black	Line In/Out – Relay Contact	12 inch (305 m)
Black	Line In/Out – Relay Contact	12 inch (305 m)
Violet	Class 2, Low-Voltage, 0-10 VDC, 25 mA maximum	36 inch (914.4 m)
Gray	Class 2, Low-Voltage, Return/Common	36 inch (914.4 m)

Mounting Options

The mechanical construction allows for simple installation of the LCM to an available 0.5 inch (Pg-7) trade size knockout on the side or on top of a luminaire. GreenBus communication wiring is still accessible from the outside of the luminaire, while all necessary wiring to the electronic dimming ballast is available on the inside.

For some installations, a junction box may be required. It is recommended to securely mount the LCM to the junction box using an available 0.5 inch (Pg-7) trade size knockout and a retainer nut.

Luminaire Mounting



Junction Box Mounting

