

DPBC

DALI Push Button Coupler

Date: _____

Quantity: _____

Company: _____

Project: _____



The **DALI Push Button Coupler (DPBC)** enables any standard push button or switch of a preferred brand, shape, size, or color to be integrated into the Encelium X Lighting Control System. Powered directly from DALI, the DPBC connects up to 4 push buttons and is easily installed in any standard flush-type junction boxes.

The DPBC has 4 input channels for potential-free contacts. Either switches or push buttons can be connected. Each button (input) on the DPBC is field configurable to suit the desired control scheme in the installed space.

This includes commands such as:

- ▶ Turn On and Turn Off
- ▶ Dim Up and Dim Down
- ▶ Recall Scene
- ▶ Toggle On/Off
- ▶ Changing and recall color temperature

Works with

- Encelium X
 - ▶ DALI Wired



Key Features & Benefits

- Powered by DALI
- DALI-2 certified
- No mains connection needed
- Connects up to 4 separate push button devices
- Enables the connection of multiple push button couplers to the same DALI line
- Standard push button / switches can be used

Specifications

SENSING AND CONTROL

Control

- DALI Communication

Control Options

- Wired devices connect via a 2-wire DALI cable
- DALI-2 dimming interface

ELECTRICAL

Nominal Power Consumption

- Required DALI current 5 mA (typical) and DALI peak current 12 mA

Number of Inputs

- 4

Connections

- Black/White: Common
- Purple: Switch Contact 1 (A)
- Pink: Switch Contact 2 (B)
- Orange: Switch Contact 3 (C)
- White: Switch Contact 4 (D)

ENVIRONMENTAL

Operating Temperature Range

- -20° to 50°C (-4° to 122°F)

PHYSICAL

Dimensions (H x W x D)

- 43 x 43 x 21 mm (1.7 x 1.7 x 0.83 inches)

Weight

- 25 g (0.9 oz)

Housing Color

- Gray

Housing Material

- Plastic

Mounting Option

- Wall Box Mount

WARRANTY

- For warranty details, refer to the full warranty documentation at encelium.com

CERTIFICATIONS & SAFETY

Approbations

- CE

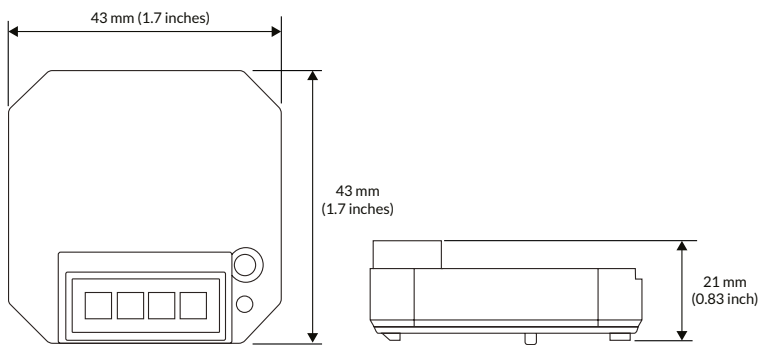
Environmental Suitability

- IP20, Indoor

CE



Dimensions

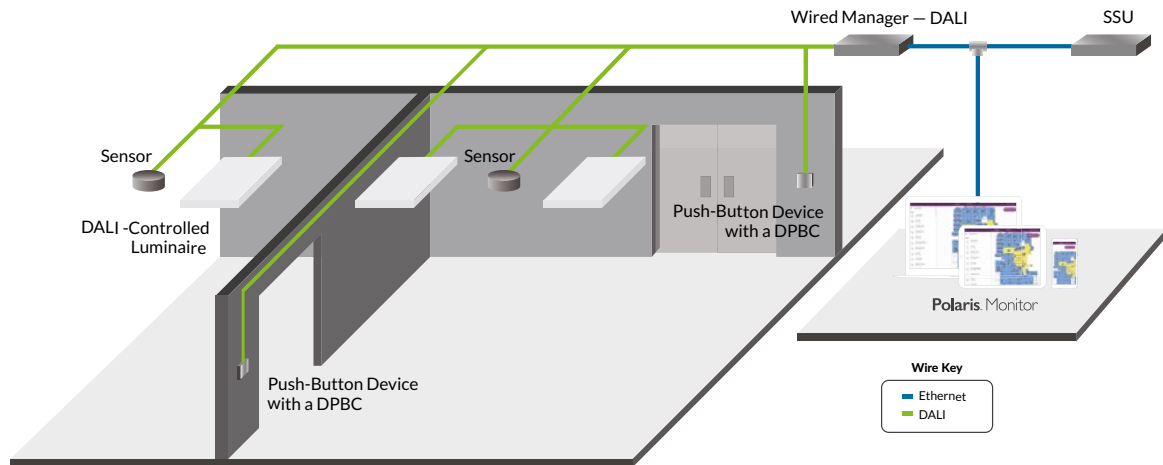


Ordering Information

Ordering Code	Description	Approbations	Communication Network
4062172087582	DALI Push Button Coupler	CE	DALI

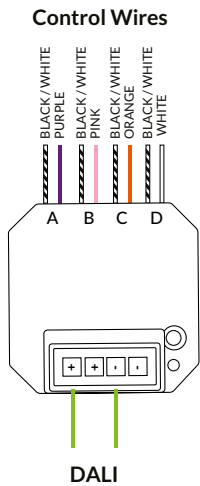
Wired System Overview

Encelium X enables you to control DALI devices. With any Encelium wired design, you get a reliable, lighting control system that can be installed quickly and easily.

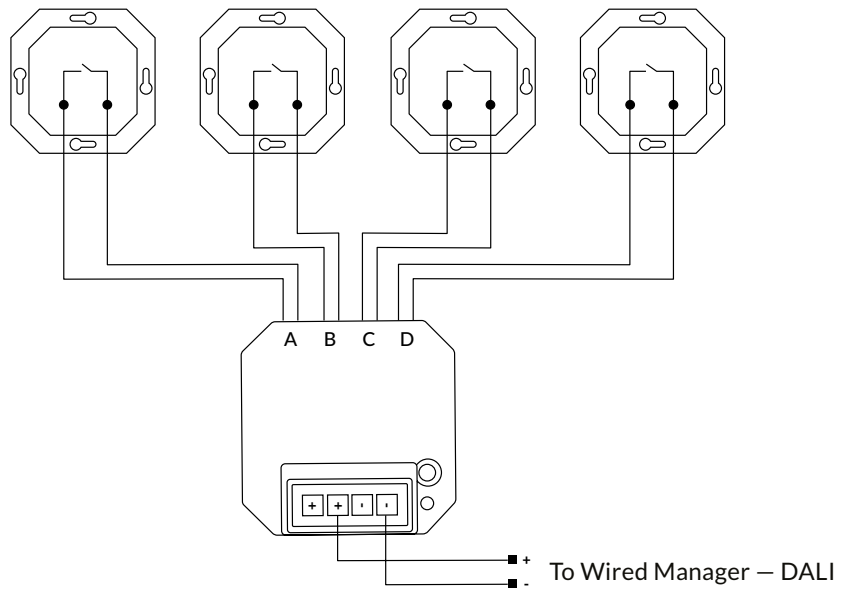


Wiring Diagrams

DPBC Wiring



DPBC Wiring Diagram



Mounting Option

Wall Box Mount

Matching European style face plates are available upon request. Please ask your Encelium Representative for details.

