

DALI LS PD CI

DALI LS PD Suspended Ceiling Integration

Date: _____

Quantity: _____

Company: _____

Project: _____



The **DALI LS PD CI** is a light and presence sensor that is designed for quick and easy installation into a suspended (drop) ceiling.

The DALI LS PD CI communicates to the Encelium Wired Manager – DALI via directly connect DALI bus.

Works with

- Encelium X
 - ▶ DALI Wired



Key Features & Benefits

- Direct connection to Encelium Wired Manager – DALI
- Function indicator with two-color LED
- Ceiling mounting height between 2 to 5 m (6.6 to 16.4 ft)
- Light and presence detection
- Adjustable shutters between 40° and 90°

Specifications

SENSING AND CONTROL

Sensing

- Presence sensing via passive IR

Light Sensor Operating Range

- 20 to 800 lux (approximately)

ENVIRONMENTAL

Ambient Temperature Range

- -20° to 50°C (-4° to 122°F)

PHYSICAL

Dimensions (H x W x D)

- 35 x 65 x Ø 80 mm (0.12 x 2.56 x Ø 3.15 inches)

Weight

- 95 g (3.3 oz)

Housing Color

- White

Housing Material

- Plastic

Mounting Option

- Suspended Ceiling Integration

Mounting Height

- 5 m (16.4 ft) maximum

Mounting Hole Spacing

- 73 mm (2.9 inches) diagonal

Detection Area

- Ø 6 m (Ø 0.25 inch) maximum

Detection Angle

- 40° to 90°

Total Depth in Ceiling

- 36 mm (1.4 inches)

WARRANTY

- For warranty details, refer to the full warranty documentation at encelium.com

CERTIFICATIONS & SAFETY

Approbations

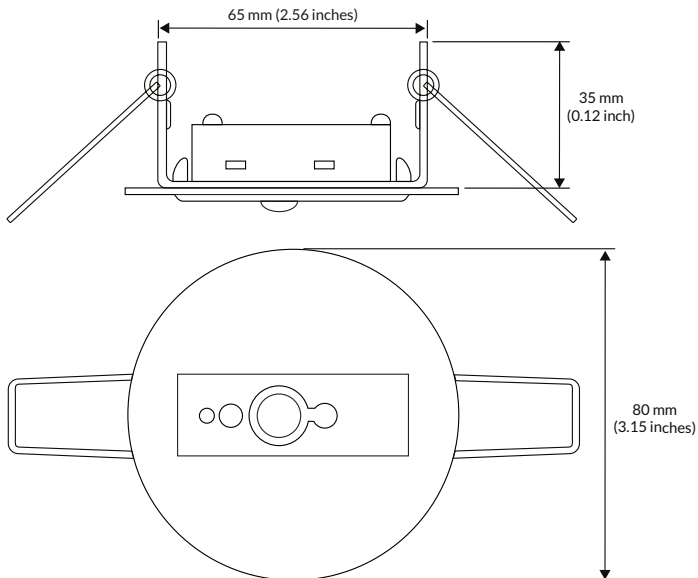
- CE

Environmental Suitability

- IP20



Dimensions

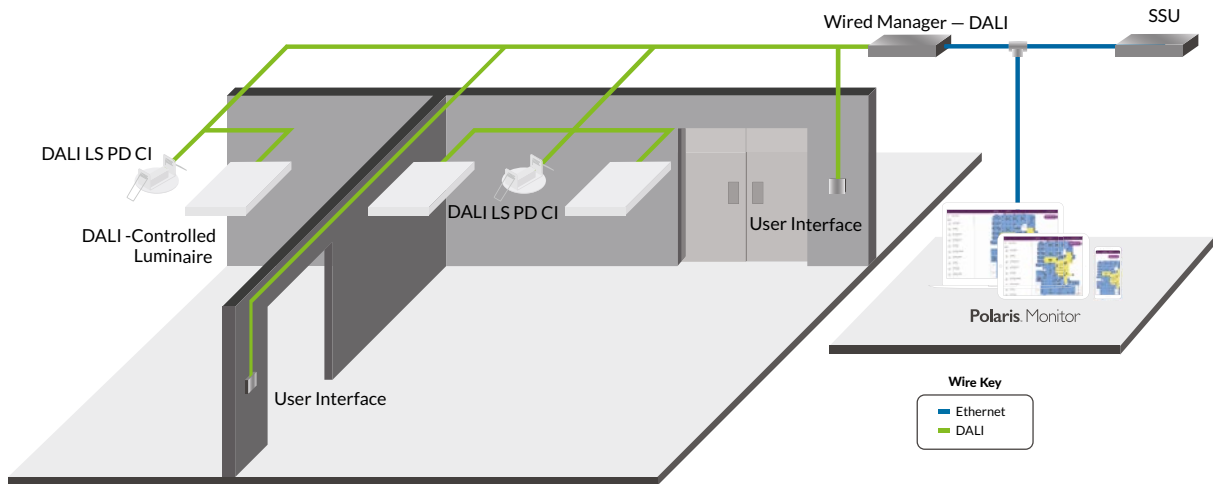


Ordering Information

Ordering Code	Description	Approbation	Communication Network
4052899930292	DALI LS PD CI	CE	DALI

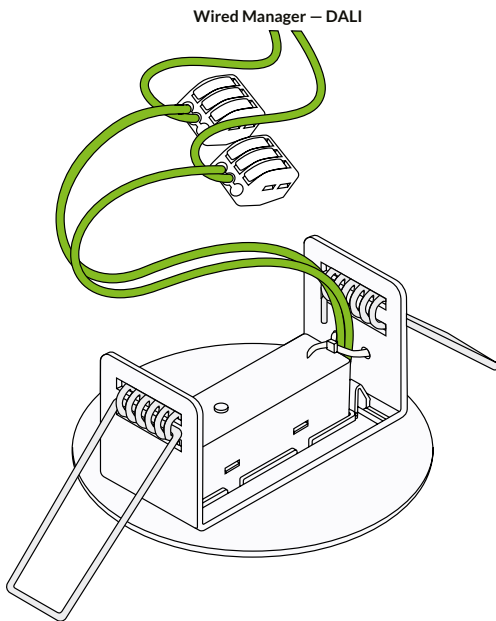
Wired System Overview

Encelium Extend enables you to control DALI devices. With any Encelium wired design, you get a reliable, lighting control system that can be installed quickly and easily.



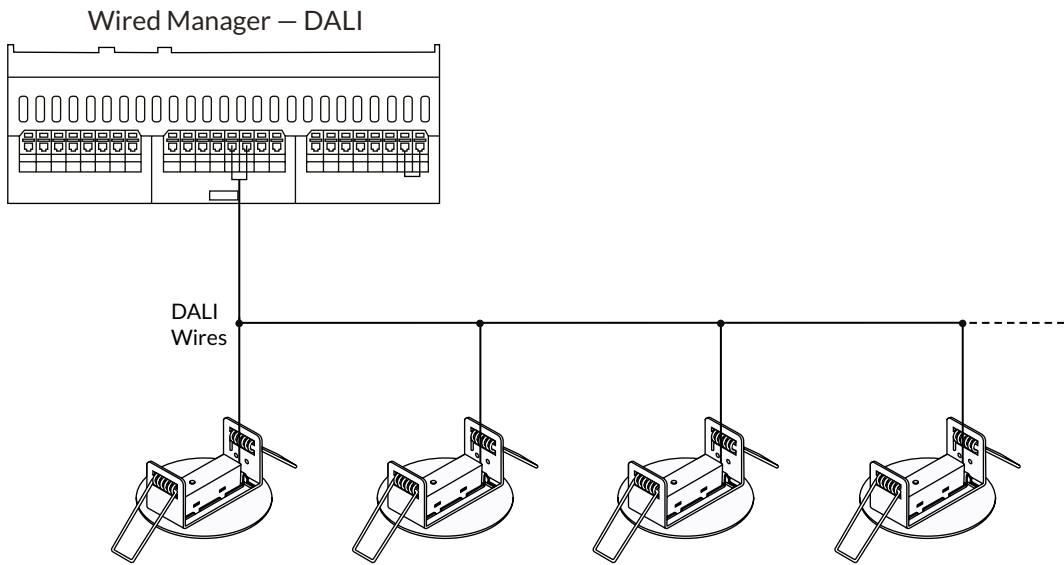
Wiring Diagrams

DALI LS PD CI Wiring



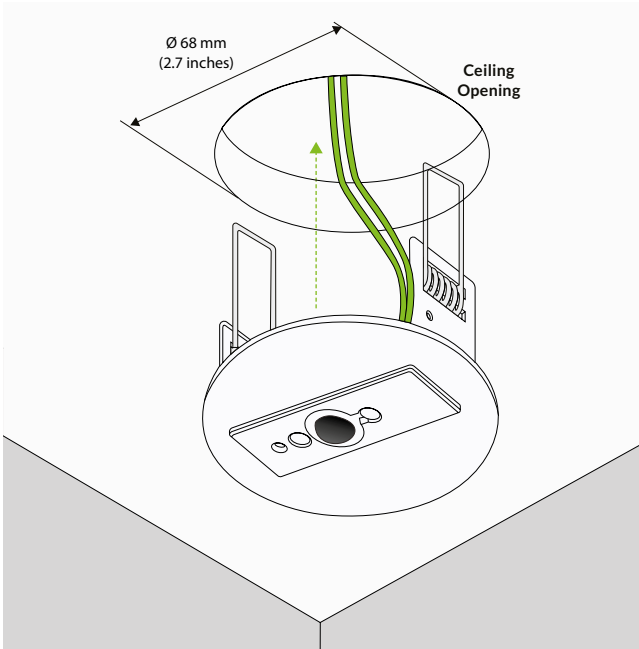
Wiring Diagrams (cont.)

DALI LS PD CI Integration Wiring



Mounting Option

Suspended Ceiling Integration



Copyright © 2022 Digital Lumens, Incorporated. All rights reserved. Digital Lumens, the Digital Lumens logo, We Generate Facility Wellness, SiteWorx, LightRules, Lightelligence, Encelium, the Encelium logo, Polaris, GreenBus and any other trademark, service mark, or tradename (collectively "the Marks") are either trademarks or registered trademarks of Digital Lumens, Inc. in the United States and/or other countries, or remain the property of their respective owners that have granted Digital Lumens, Inc. the right and license to use such Marks and/or are used herein as nominative fair use. Due to continuous improvements and innovations, specifications may change without notice.

LMS238 Rev 1 11-22