

DALI HF LS LI

Luminaire Integrated Light and Presence Sensor and DALI Coupler

Date: _____

Quantity: _____

Company: _____

Project: _____



The **DALI HF LS LI** is a High-Frequency Light Sensing Luminaire Integrated Sensor and Coupler designed to incorporate light and presence sensing control of your DALI luminaire into the Encelium X Lighting Control System.

The **HF LS LI Sensor** includes both a light and a presence sensor which utilize an active radar element, allowing a wide range of mounting heights, from 2 to 13 m (6.6 to 43 ft).

The HF LS LI Sensor is used with a **DALI HF LS LI Coupler**, which connects the sensor to your DALI network. Both pieces come equipped to integrate into your luminaire. If independent mounting is preferred, there is a separate ceiling integration kit (ECO CI Kit) available for purchase.

Works with

- Encelium X
 - ▶ DALI Wired



Key Features & Benefits

- Designed for luminaire integration
- Works with the Encelium Wired Manager – DALI to connect the light and presence sensor to a DALI system
- Adjustable motion detection range
- Wide range of mounting heights from 2 to 13 m (6.6 to 43 ft)

DALI HF LS LI Coupler Specifications

SENSING AND CONTROL

Sensing

- Works with HF LS LI Light and Presence Sensor

Control

- DALI Communication

ELECTRICAL

Power Consumption

- 2 mA – DALI
- 0.35 W at 230V, 50/60 Hz

ENVIRONMENTAL

Operating Temperature

- -20° to 50°C (-4° to 122°F)

PHYSICAL

Dimensions (H x W x D)

- 21 x 118 x 30 mm (0.83 x 4.6 x 1.18 inches)

Weight

- 50 g (1.8 oz)

Housing Color

- White

Housing Material

- Plastic

Mounting Options

- Luminaire Integration
- Independent Ceiling Integration is optional and requires the purchase of ECO CI KIT

WARRANTY

- For warranty details, refer to the full warranty documentation at enclium.com

CERTIFICATIONS & SAFETY

Approbations

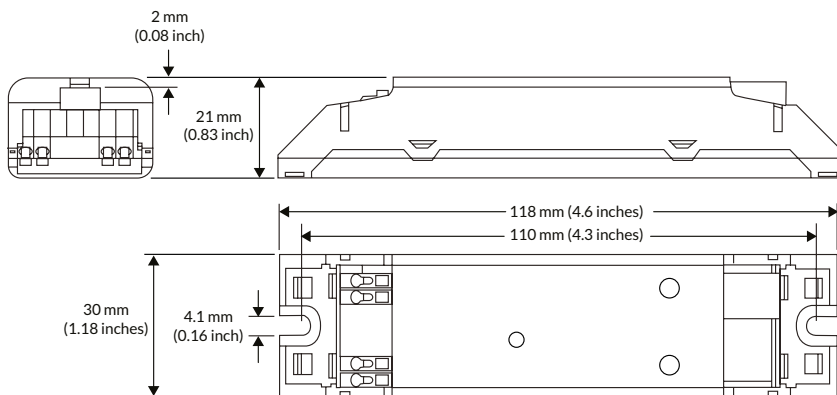
- CE

Environmental Suitability

- IP20



Dimensions



HF LS LI Sensor Specifications

SENSING AND CONTROL

Sensing

- Third-party presence sensing via dry contact
- Third-party light sensing via 0-10V

Light Sensor Operating Range

- 20 to 800 lux (approximately)

ELECTRICAL

Power Consumption

- 0.45 W at 230V, 50/60 Hz

ENVIRONMENTAL

Ambient Temperature Range

- -20° to 50°C (-4° to 122°F)

PHYSICAL

Dimensions (H x W x D)

- 21 x 56 x 28 mm (0.83x 2.2 x 1.1 inches)

Weight

- 22 g (0.78 oz)

Housing Color

- White

Housing Material

- Plastic

Mounting Options

- Luminaire Integration

Mounting Height

- 2 to 13 m (6.6 to 43 ft)

Detection Area

- Ø6 m (0.25 inch) maximum

Detection Angle

- 35° to 80°

WARRANTY

- For warranty details, refer to the full warranty documentation at encelium.com

CERTIFICATIONS & SAFETY

Approbations

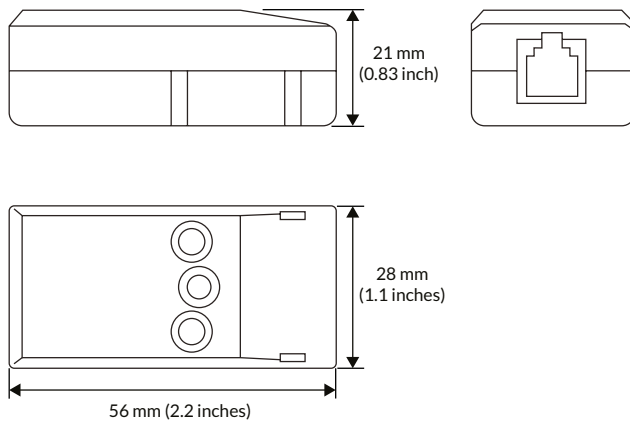
- CE

Environmental Suitability

- IP20



Dimensions



ECO CI KIT Specifications

PHYSICAL

Dimensions (H x W x D)

- ECO CI KIT installed on DALI HF LS LI Coupler
23 x 33 x 146 mm (0.9 x 1.3 x 5.7 inches)

Weight

- 20 g (0.7 oz)

Housing Color

- Green

Housing Material

- Plastic

Mounting Options

- Independent Ceiling Integration strain relief housing kit for WLC, DALI HF LS LI Coupler, and DALI Sensor Coupler E

WARRANTY

- For warranty details, refer to the full warranty documentation at encelium.com

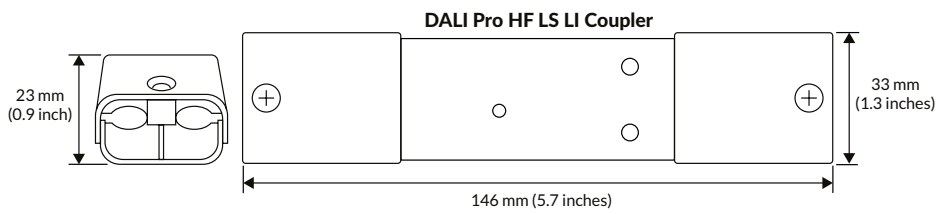
CERTIFICATIONS & SAFETY

Approbations

- CE



Dimensions

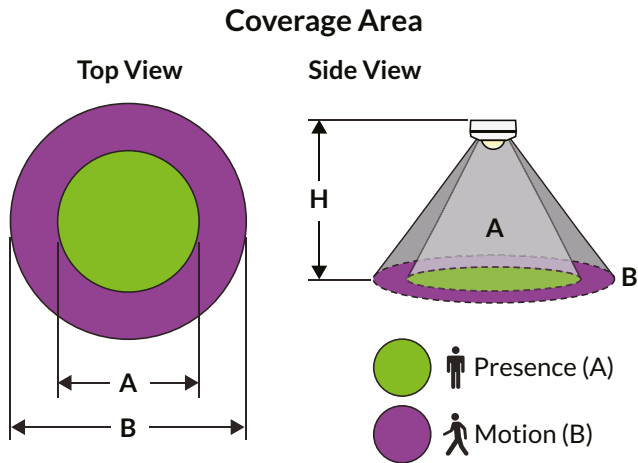


Ordering Information

Ordering Code	Description	Approbation	Communication Network
4052899141728	DALI HF LS LI Coupler	CE	DALI
4052899921481	HF LS LI Sensor	CE	—
4008321392091	ECO CI KIT	CE	—

Note: The HF LS LI and ECO CI KIT are sold separately. The DALI HF LS LI Coupler requires one sensor per coupler (e.g. HF LS LI Sensor) for luminaire mount installations. The ECO CI KIT is required for independent ceiling mount installations only.

Sensor Coverage

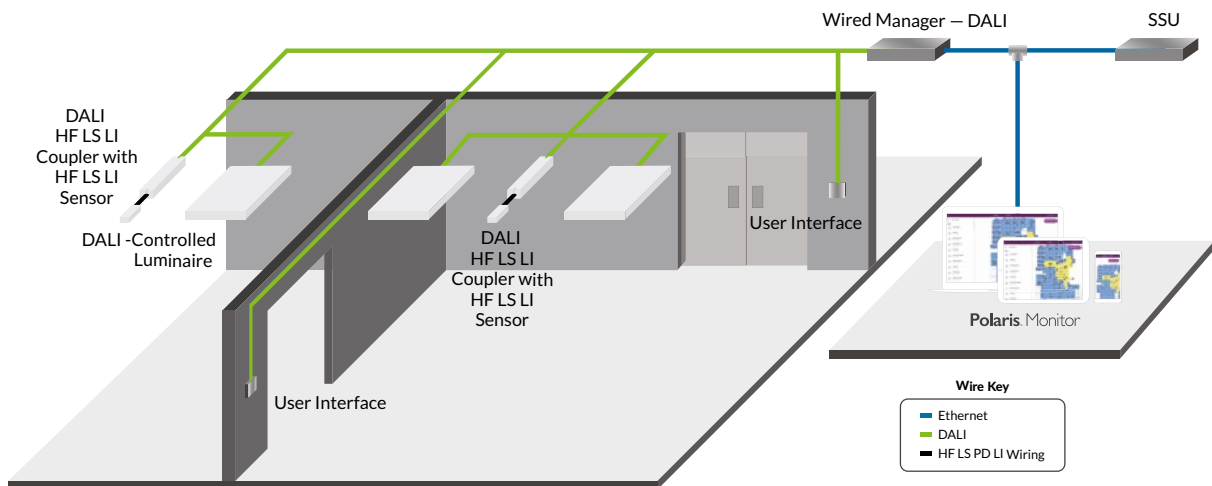


Sensor Detection Range

	Presence	Motion
Mounting Height (H)	8 m (26.2 ft)	13 m (43 ft)
Detection Range	15 m (49.2 ft)	25 m (82 ft)
Coverage Area	35° x 80°	35° x 80°

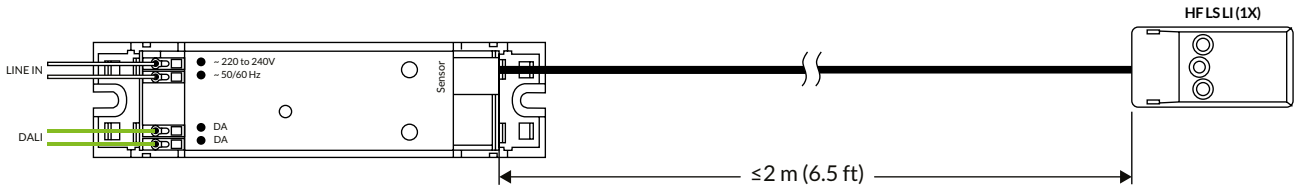
Wired System Overview

Encelium Extend enables you to control DALI devices. With any Encelium wired design, you get a reliable, lighting control system that can be installed quickly and easily.



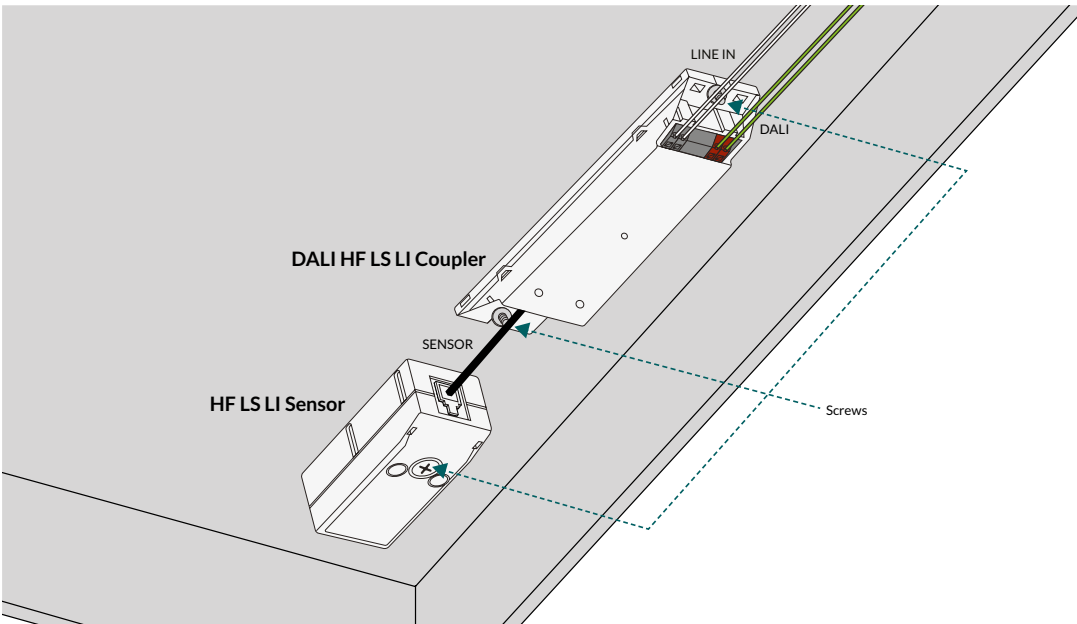
Wiring Diagram

DALI HF LS LI Wiring



Mounting Options

Luminaire Integration



Independent Ceiling Integration

