

### PRODUCT SAFETY

When using electrical equipment, basic safety precautions should always be followed, including the following:



**READ THESE INSTRUCTIONS BEFORE USING THIS PRODUCT.**



Do not let power supply cords touch hot surfaces.



Do not mount near gas or electric heaters.



Equipment should be mounted in locations and at heights where it will not readily be subjected to tampering by unauthorized personnel.



The use of accessory equipment is not recommended by Encelium as it may cause an unsafe condition.



Do not use this equipment for other than the intended use.



**SAVE THESE INSTRUCTIONS.**

---

### GETTING STARTED

#### Overview

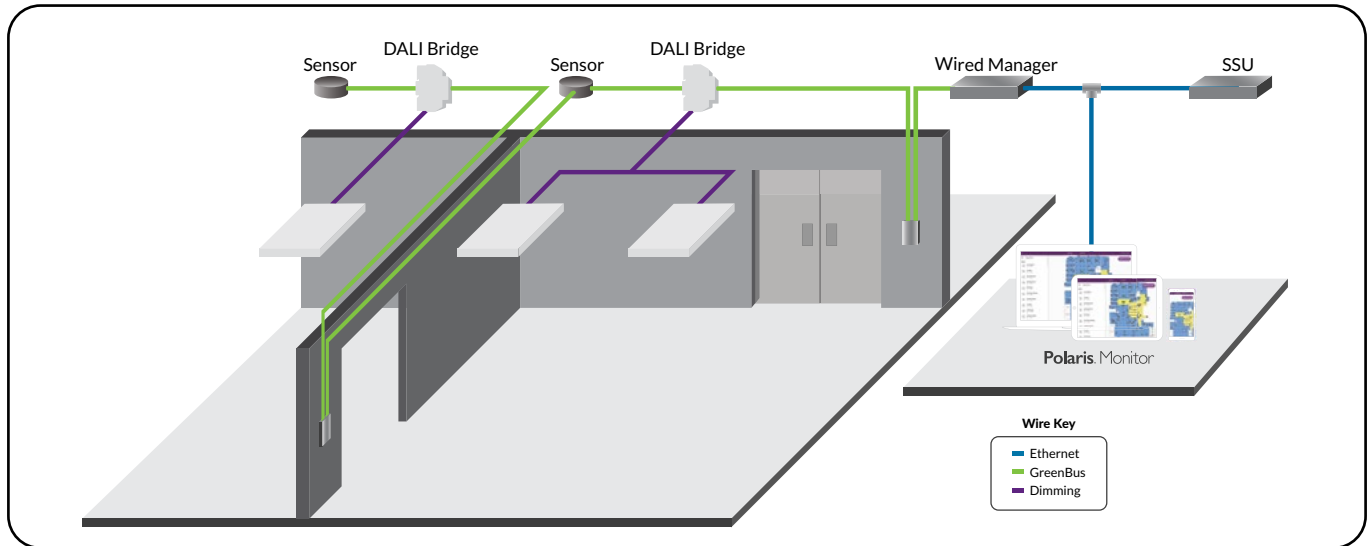
The DALI Bridge enables digital control of DALI ballasts/drivers. Easily connects to the GreenBus network, the module makes each DALI-compliant ballast addressable. It obtains its address during the commissioning process and no actions are required during installation.

# DALI Bridge

## INSTALLATION INSTRUCTIONS

### WIRED SYSTEM OVERVIEW

Our innovative GreenBus two-wire communication topology takes the work out of wiring, providing a simple solution for supplying power and data to Encelium X. GreenBus technology makes wiring fast and error-free, since it's intuitive to install. With Encelium X, you can control DALI devices exclusively or a mixture of GreenBus and DALI. With any Encelium wired design, you get a reliable, on-site light management system that can be installed quickly and easily.



### INSTALLATION

- 1 The DALI Bridge must be connected to a 24 VDC power supply. The power supply is capable of powering up to four DALI Bridge Modules.

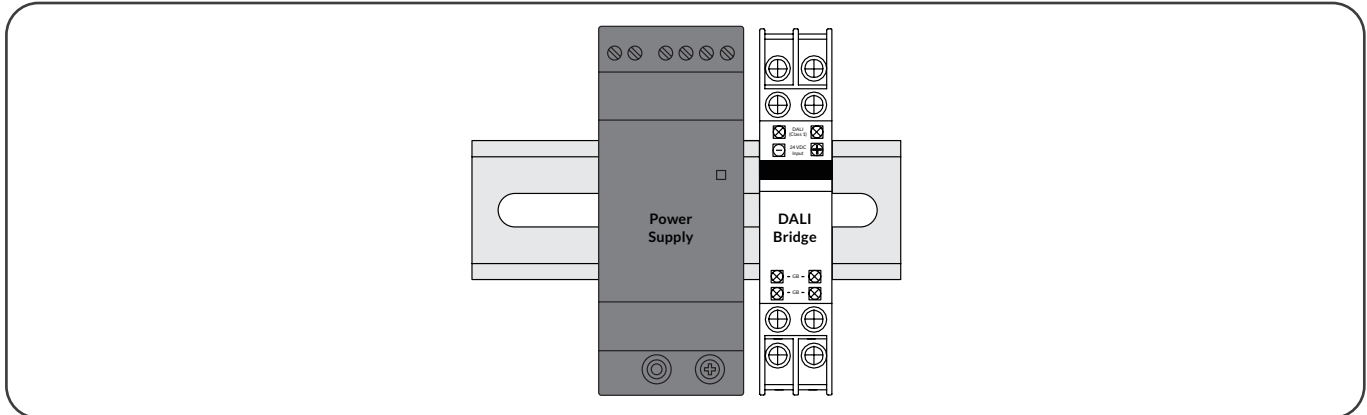
**Notes:** DALI Bridges are to be installed in dry, indoor locations ONLY. Do not connect more than 64 DALI-compliant ballasts per GreenBus™ channel. Do not connect DALI sensors or switches to the DALI Bridge.


**⚠** Do not connect more than four DALI Bridges to the PS 30 or abnormal behavior could occur on the DALI Loop.

### MOUNTING OPTIONS

#### 1 DIN Rail Mount

In a typical installation, the DALI Bridges are mounted onto a 35x7.5 or 35x15 “top-hat” style DIN Rail. The DALI Bridge may be mounted to the same DIN Rail as the 24 VDC power supply.

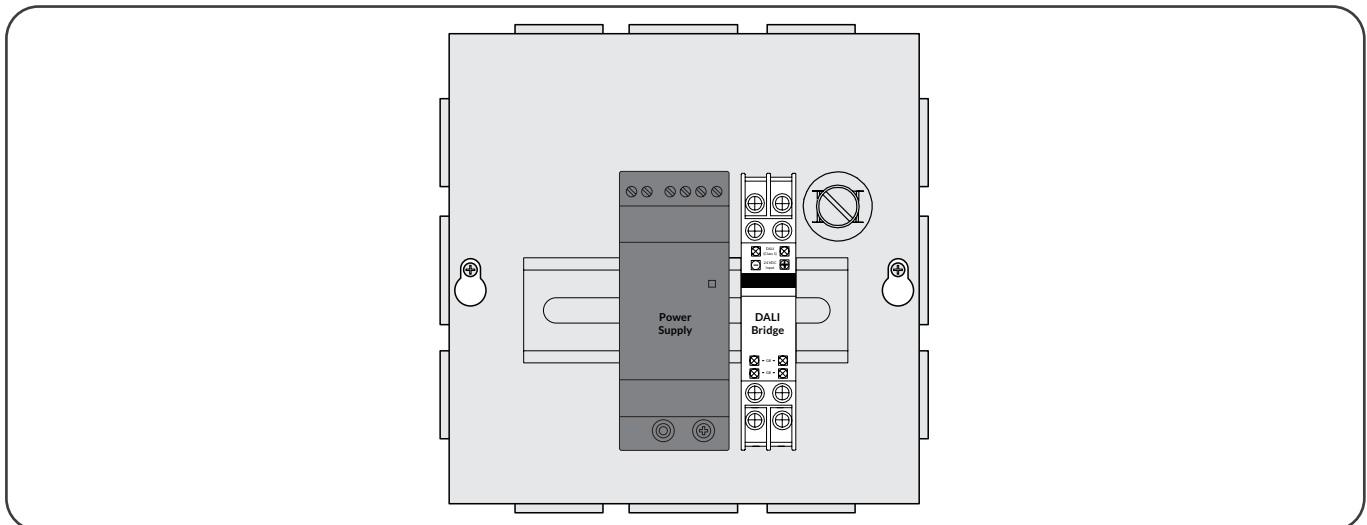


 Do not reverse the 24 VDC polarity connections from the power supply to the DALI Bridge or damage may result.

#### 2 Junction Box Mount

The DALI Bridge can also be mounted within a junction box. The Following NEMA Junction Box sizes are suggested:

- 1 Power Supply and 2 DALI Bridges: 10 x 10 x 3 inch (254 x 254 x 76.2 mm)
- 1 Power Supply and 3 DALI Bridges: 12 x 12 x 3 inch (305 x 305 x 76.2 mm)
- 1 Power Supply and 4 DALI Bridges: 12 x 12 x 3 inch (305 x 305 x 76.2 mm)

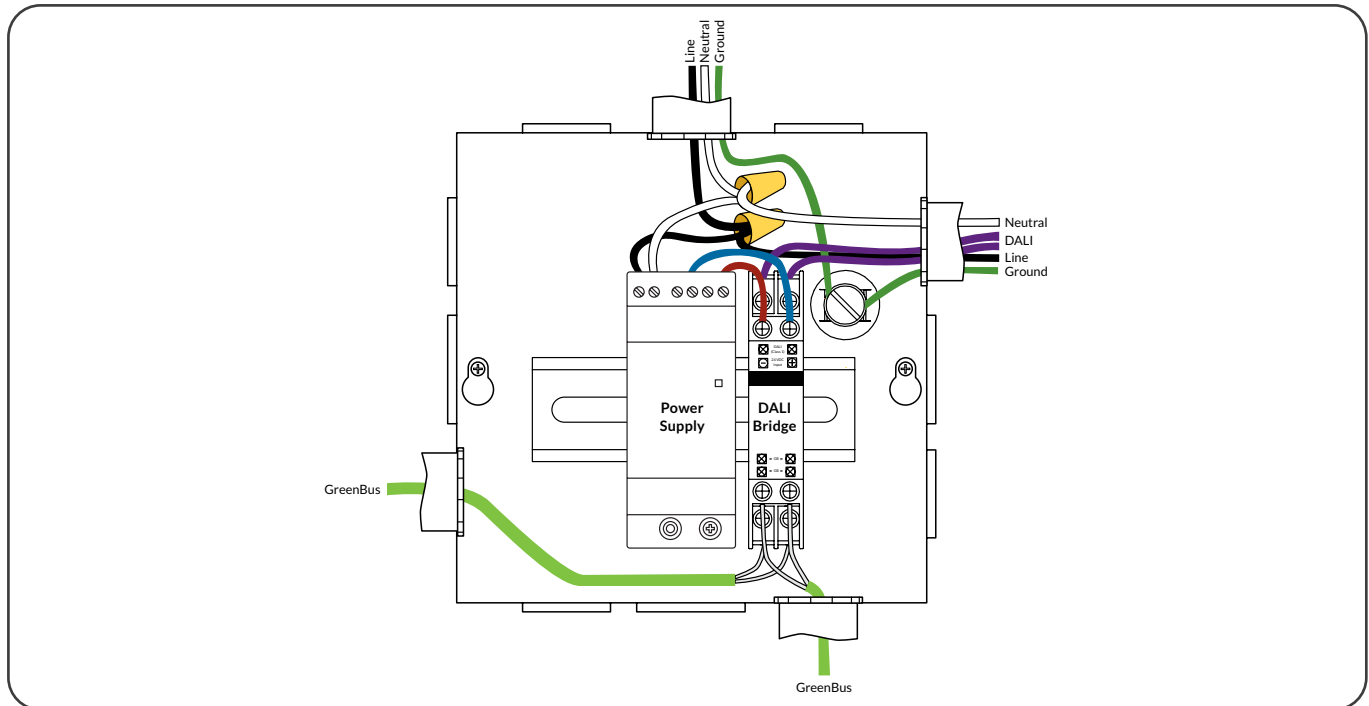




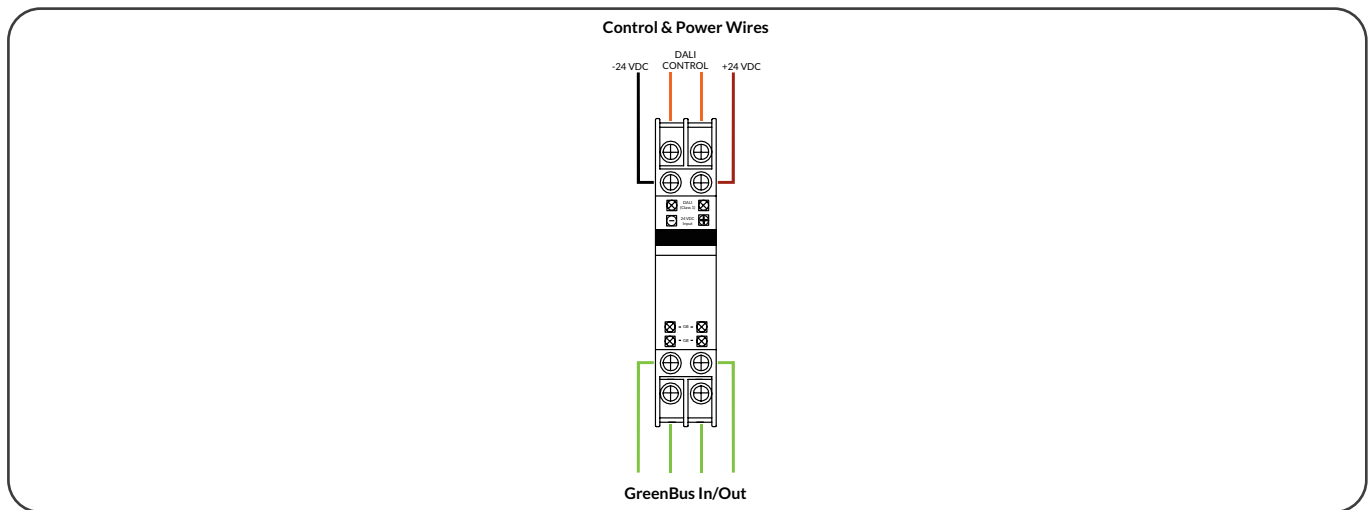
# DALI Bridge

## INSTALLATION INSTRUCTIONS

- 2 Class 1 Wiring — DALI Bus can be run as Class 1 (Consult applicable electrical and building codes).



- 3 DALI Bridge Wiring



# DALI Bridge

## INSTALLATION INSTRUCTIONS

---

### TROUBLESHOOTING

There are no user-serviceable parts inside. For detailed information about how to set-up, install, use, and maintain Encelium hardware and software, please visit: [help.encelium.com](https://help.encelium.com)

Copyright © 2021 Digital Lumens, Incorporated. All rights reserved. Digital Lumens, the Digital Lumens logo, We Generate Facility Wellness, SiteWorx, LightRules, Lightelligence, Encelium, the Encelium logo, Polaris, GreenBus and any other trademark, service mark, or tradename (collectively "the Marks") are either trademarks or registered trademarks of Digital Lumens, Inc. in the United States and/or other countries, or remain the property of their respective owners that have granted Digital Lumens, Inc. the right and license to use such Marks and/or are used herein as nominative fair use. Due to continuous improvements and innovations, specifications may change without notice.

DOC-000440-00 Rev A 11-21

**ENCELIUM**

[encelium.com](https://encelium.com)