

High Bay/VISION Sensor with DALI Coupler

Ceiling Mount sensors and DALI Coupler

Date: _____

Quantity: _____

Company: _____

Project: _____



The **High Bay Sensor** is a motion sensor ideal for industrial lighting applications, such as production halls. Whereas, the **VISION Sensor** is ideal for large areas such as open-plan offices, corridors and storage rooms.

Both sensors can be used with the Encelium X Light Management System using a **DALI High Bay Coupler**.

Daylight sensing can also be achieved by using the DALI High Bay Coupler.

Works with

- Encelium X
 - ▶ DALI Wired



Key Features & Benefits

- Options for High Bay, and large area applications
- DALI integration and daylight sensing using the DALI High Bay Coupler
- DALI High Bay Coupler suitable for mounting heights up to 13 m (43 ft)

High Bay Sensor Specifications

SENSING AND CONTROL

Sensing

- Motion sensor

Control

- Switching Contact

ELECTRICAL

Power Consumption

- 0.6 W

Input Voltage

- 120 to 277 VAC, 50/60 Hz

ENVIRONMENTAL

Ambient Temperature Range

- -10° to 70°C (-14° to 158°F)

PHYSICAL

Dimensions (H x D)

- 40 x Ø 116 mm (1.6 x Ø 4.6 inches)

Weight

- 135 g (4.8 oz)

Housing Color

- White

Housing Material

- Plastic

Mounting Option

- Ceiling Integration with DALI High-Bay Adapter

Mounting Height

- 13 m (43 ft)

Detection Area

- Ø18 m (59 ft) maximum

Detection Angle

- Approximately 100°

WARRANTY

- Standard warranty is in effect for a period of five (5) years from the date of shipment.¹

CERTIFICATIONS & SAFETY

Approbations

- CE

Environmental Suitability

- IP20



VISION Sensor Specifications

SENSING AND CONTROL

Sensing

- Motion sensor

Control

- Switching Contact

ELECTRICAL

Power Consumption

- 0.6 W

Input Voltage

- 120 to 277 VAC, 50/60 Hz

ENVIRONMENTAL

Ambient Temperature Range

- -10° to 70°C (-14° to 158°F)

PHYSICAL

Dimensions (H x D)

- 40 x Ø 116 mm (1.6 x Ø 4.6 inches)

Weight

- 135 g (4.8 oz)

Housing Color

- White

Housing Material

- Plastic

Mounting Option

- Ceiling Integration with DALI High-Bay Adapter

Mounting Height

- 4.5 m (15 ft)

Detection Area

- Ø21 m (69 ft) maximum

Detection Angle

- Approximately 140°

WARRANTY

- Standard warranty is in effect for a period of five (5) years from the date of shipment.¹

CERTIFICATIONS & SAFETY

Approbations

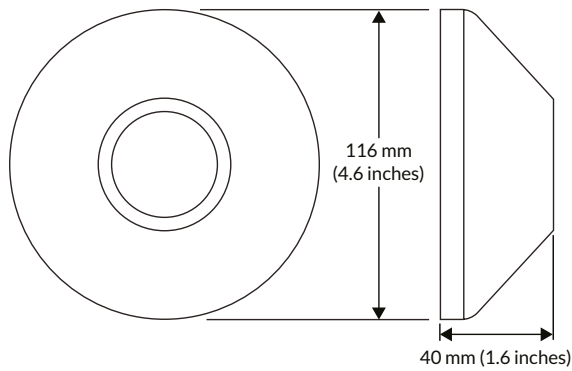
- CE

Environmental Suitability

- IP20



Sensor Dimensions



High Bay Coupler Specifications

SENSING AND CONTROL

Sensing

- Light Sensor

Control

- DALI Communication

Light Sensor Operating Range

- 20 to 800 lux (approximately)

ENVIRONMENT

Ambient Temperature Range

- 0° to 50°C (32° to 122°F)

PHYSICAL

Dimensions (H x W x D)

- 37 x 139 x Ø 118 mm (1.46 x 5.4 x Ø 4.6 inches)

Weight

- 74 g (2.6 oz)

Housing Color

- White

Housing Material

- Plastic

Mounting Option

- Ceiling Integration

Mounting Height

- Up to 13 m (43 ft)

WARRANTY

- Standard warranty is in effect for a period of five (5) years from the date of shipment.¹

CERTIFICATIONS & SAFETY

Approbations

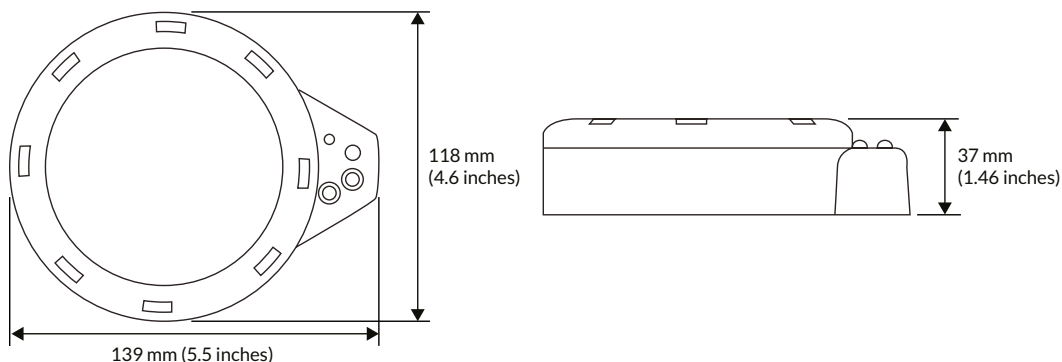
- CE
- RoHS Compliant

Environmental Suitability

- IP20



High Bay Coupler Dimensions



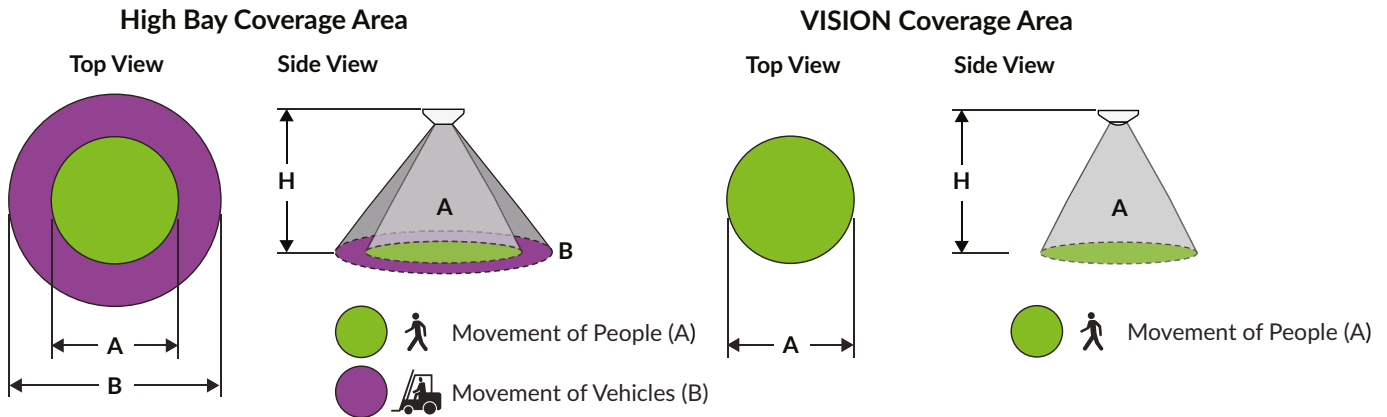
Footnotes:

¹ This does not apply to: (1) damage caused by accident, mishandling, or dropping; (2) materials which have been subject to unauthorized repair; (3) materials not used in accordance with instructions; (4) ordinary wear and tear.

Ordering Information

Ordering Code	Description	Approbation	Communication Network
HIGH-BAY	High-Bay Sensor	CE	—
VISION	VISION Sensor	CE	—
HIGHBAY COUPLER G2	DALI High-Bay Adapter	CE	DALI

Sensor Coverage



High Bay Sensor Detection Range

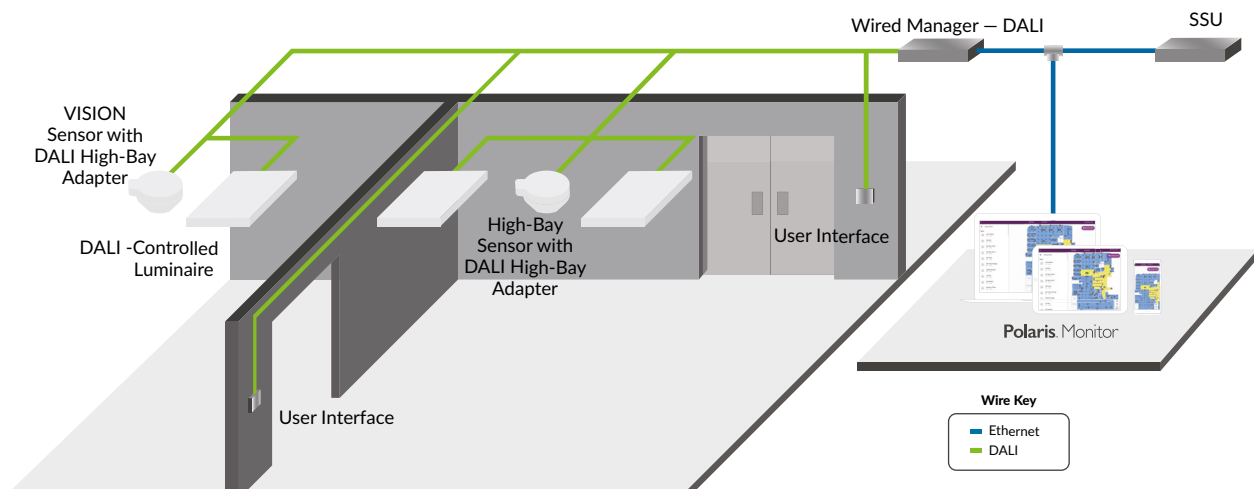
	Movement of People (A)	Movement of Vehicles (B)
Mounting Height (H)	10 m (33 ft)	13 m (42.6 ft)
Detection Range	Ø 12 m (39.4 ft)	Ø 18 m (50 ft)
Coverage Area	360°	360°

VISION Sensor Detection Range

	Movement of People (A)
Mounting Height (H)	6 m (14.8 ft)
Detection Range	Ø 21 m (69 ft)
Coverage Area	360°

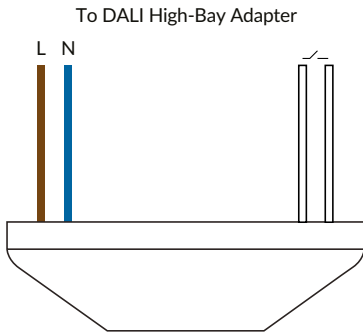
Wired System Overview

Encelium Extend enables you to control DALI devices. With any Encelium wired design, you get a reliable, lighting control system that can be installed quickly and easily.

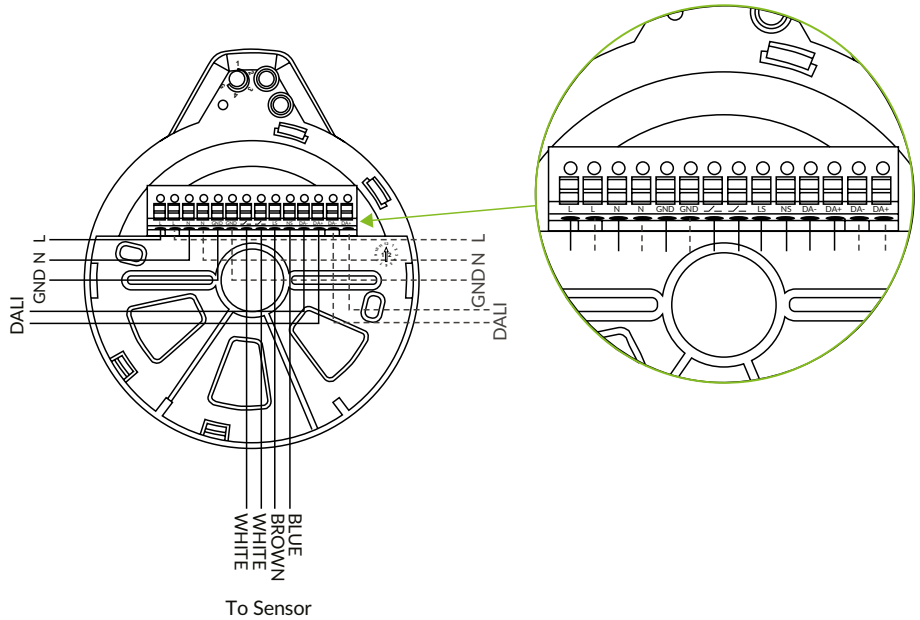


Wiring Diagrams

Sensor Wiring



DALI High Bay Coupler Wiring



Mounting Option

Ceiling Integration

