

# High Bay/VISION Sensor with DALI Coupler

Ceiling Mount sensors and DALI Coupler

Date: \_\_\_\_\_

Quantity: \_\_\_\_\_

Company: \_\_\_\_\_

Project: \_\_\_\_\_



The **High Bay Sensor** is a motion sensor ideal for industrial lighting applications, such as production halls. Whereas, the **VISION Sensor** is ideal for large areas such as open-plan offices, corridors and storage rooms.

Both sensors can be used with the Encelium X Light Management System using a **DALI High Bay Coupler**.

Daylight sensing can also be achieved by using the DALI High Bay Coupler.

## Works with

- Encelium X
  - ▶ DALI Wired



## Key Features & Benefits

- Options for High Bay, and large area applications
- DALI integration and daylight sensing using the DALI High Bay Coupler
- DALI High Bay Coupler suitable for mounting heights up to 13 m (43 ft)

## High Bay Sensor Specifications

---

### SENSING AND CONTROL

#### Sensing

- Motion sensor

#### Control

- Switching Contact

### ELECTRICAL

#### Power Consumption

- 0.6 W

#### Input Voltage

- 120 to 277 VAC, 50/60 Hz

### ENVIRONMENTAL

#### Ambient Temperature Range

- -10° to 70°C (-14° to 158°F)

### PHYSICAL

#### Dimensions (H x D)

- 40 x Ø 116 mm (1.6 x Ø 4.6 inches)

#### Weight

- 135 g (4.8 oz)

#### Housing Color

- White

#### Housing Material

- Plastic

#### Mounting Option

- Ceiling Integration with DALI High-Bay Adapter

#### Mounting Height

- 13 m (43 ft)

#### Detection Area

- Ø18 m (59 ft) maximum

#### Detection Angle

- Approximately 100°

### WARRANTY

- For warranty details, refer to the full warranty documentation at [encelium.com](http://encelium.com)

### CERTIFICATIONS & SAFETY

#### Approbations

- CE

#### Environmental Suitability

- IP20



## VISION Sensor Specifications

---

### SENSING AND CONTROL

#### Sensing

- Motion sensor

#### Control

- Switching Contact

### ELECTRICAL

#### Power Consumption

- 0.6 W

#### Input Voltage

- 120 to 277 VAC, 50/60 Hz

### ENVIRONMENTAL

#### Ambient Temperature Range

- -10° to 70°C (-14° to 158°F)

### PHYSICAL

#### Dimensions (H x D)

- 40 x Ø 116 mm (1.6 x Ø 4.6 inches)

#### Weight

- 135 g (4.8 oz)

#### Housing Color

- White

#### Housing Material

- Plastic

#### Mounting Option

- Ceiling Integration with DALI High-Bay Adapter

#### Mounting Height

- 4.5 m (15 ft)

#### Detection Area

- Ø21 m (69 ft) maximum

#### Detection Angle

- Approximately 140°

### WARRANTY

- For warranty details, refer to the full warranty documentation at [encelium.com](http://encelium.com)

### CERTIFICATIONS & SAFETY

#### Approbations

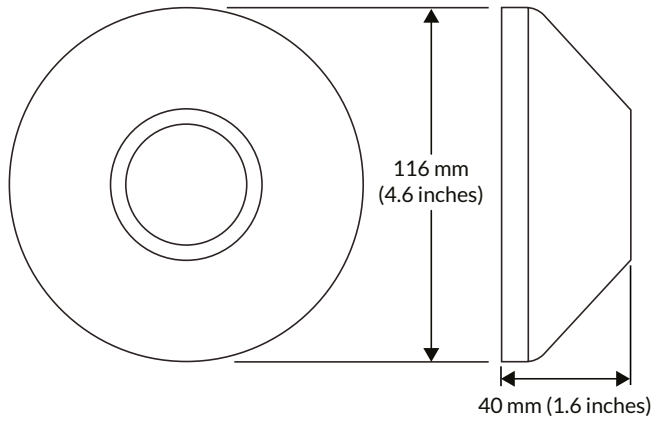
- CE

#### Environmental Suitability

- IP20



## Sensor Dimensions



## High Bay Coupler Specifications

### SENSING AND CONTROL

#### Sensing

- Light Sensor

#### Control

- DALI Communication

#### Light Sensor Operating Range

- 20 to 800 lux (approximately)

### ENVIRONMENT

#### Ambient Temperature Range

- 0° to 50°C (32° to 122°F)

### PHYSICAL

#### Dimensions (H x W x D)

- 37 x 139 x Ø 118 mm (1.46 x 5.4 x Ø 4.6 inches)

#### Weight

- 74 g (2.6 oz)

#### Housing Color

- White

#### Housing Material

- Plastic

#### Mounting Option

- Ceiling Integration

#### Mounting Height

- Up to 13 m (43 ft)

### WARRANTY

- For warranty details, refer to the full warranty documentation at [encelium.com](http://encelium.com)

### CERTIFICATIONS & SAFETY

#### Approbations

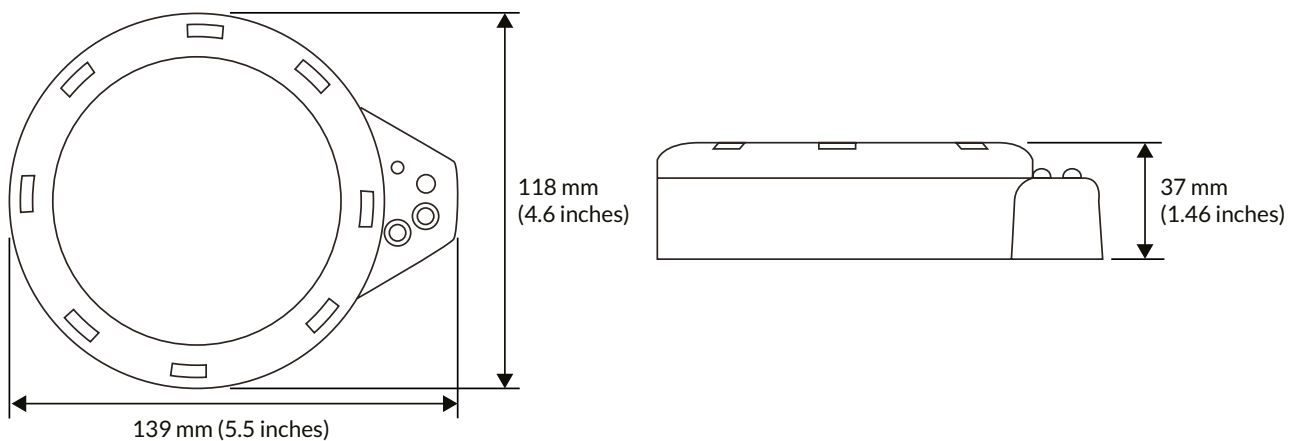
- CE
- RoHS Compliant

#### Environmental Suitability

- IP20



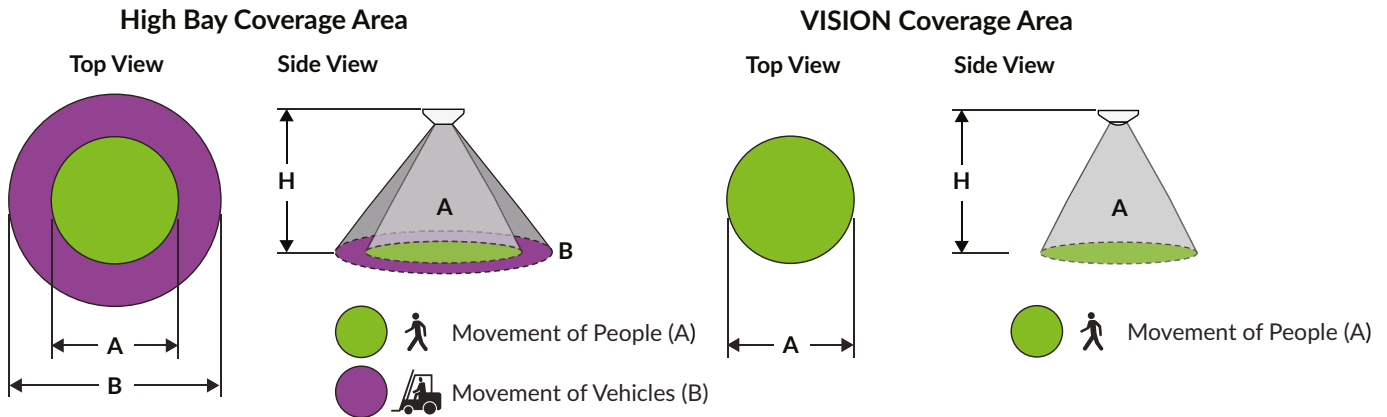
## High Bay Coupler Dimensions



## Ordering Information

Ordering Code	Description	Approbation	Communication Network
HIGH-BAY	High-Bay Sensor	CE	—
VISION	VISION Sensor	CE	—
HIGHBAY COUPLER G2	DALI High-Bay Adapter	CE	DALI

## Sensor Coverage



### High Bay Sensor Detection Range

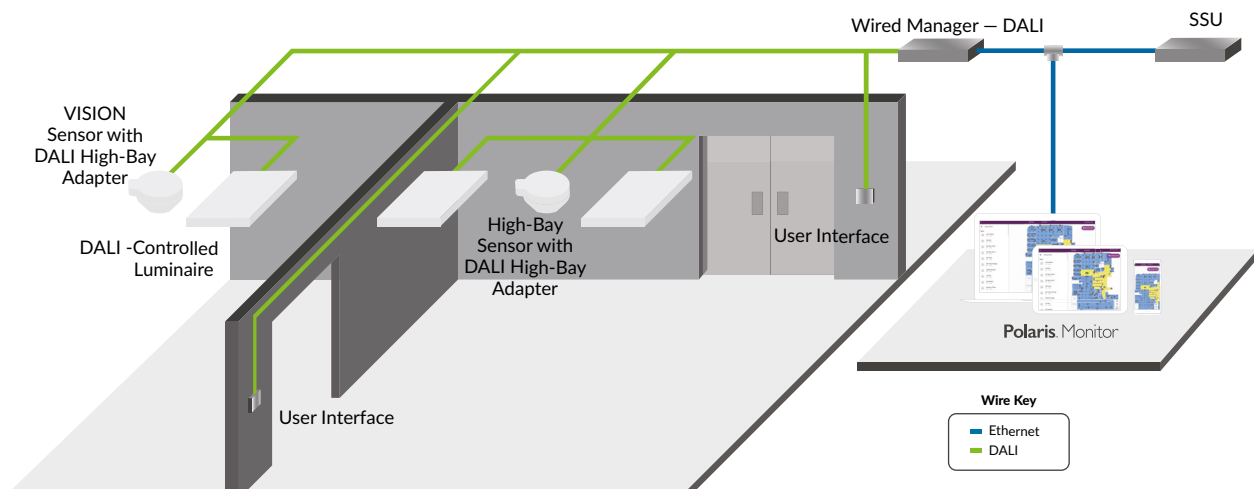
	Movement of People (A)	Movement of Vehicles (B)
Mounting Height (H)	10 m (33 ft)	13 m (42.6 ft)
Detection Range	Ø 12 m (39.4 ft)	Ø 18 m (50 ft)
Coverage Area	360°	360°

### VISION Sensor Detection Range

	Movement of People (A)
Mounting Height (H)	6 m (14.8 ft)
Detection Range	Ø 21 m (69 ft)
Coverage Area	360°

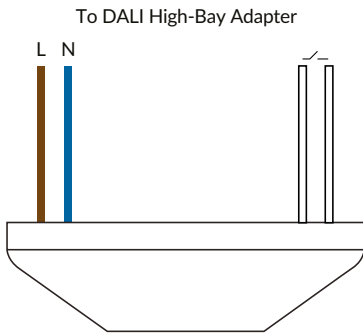
## Wired System Overview

Encelium Extend enables you to control DALI devices. With any Encelium wired design, you get a reliable, lighting control system that can be installed quickly and easily.

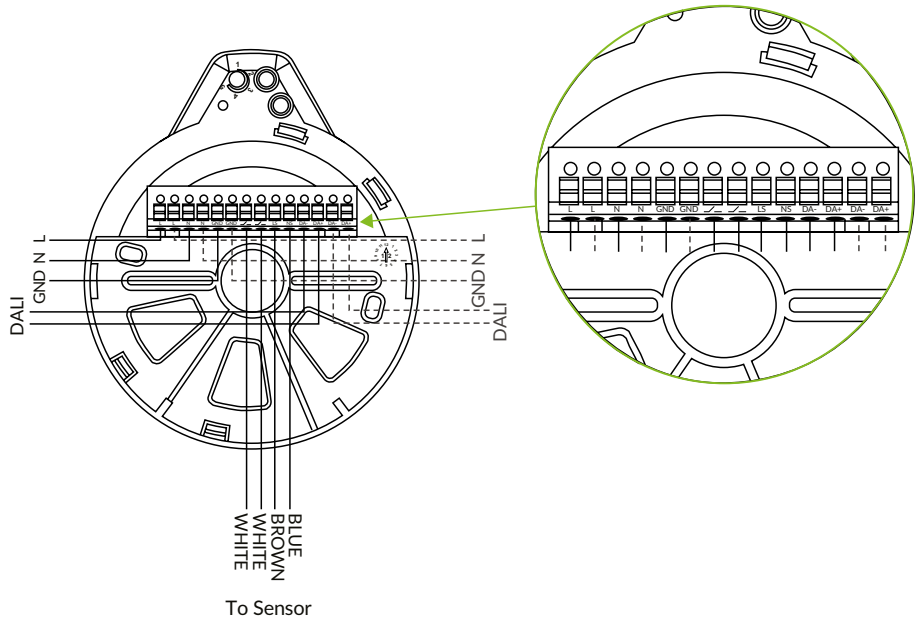


# Wiring Diagrams

## Sensor Wiring



## DALI High Bay Coupler Wiring



## Mounting Option

### Ceiling Integration

