

DALI Sensor Coupler E

Luminaire Integrated DALI Coupler

Date: _____

Quantity: _____

Company: _____

Project: _____



The **DALI Sensor Coupler E** allows integration of external light and presence sensors into the Encelium X System.

The DALI Sensor Coupler E enables each sensor to be independently configured to best meet the needs of the facility.

It is suitable for luminaire integrated mounting and can also be mounted in a ceiling with the optional ECO CI Kit.

Works with

- Encelium X
 - ▶ DALI Wired



Key Features & Benefits

- Integrates with third-party daylight and occupancy sensors

DALI Sensor Coupler E Specifications

SENSING AND CONTROL

Sensing

- Third-party presence sensing via dry contact
- Third-party light sensing via 0-10V

Control

- DALI Communication

Number of Control Outputs

- 1

ELECTRICAL

Power Consumption

- 2 mA – DALI

Input Voltage

- 230 VAC, 50/60 Hz

ENVIRONMENTAL

Operating Temperature

- -20° to 50°C (-4° to 122°F)

PHYSICAL

Dimensions (H x W x D)

- 21 x 30 x 118 mm (0.83 x 1.2 x 4.6 inches)

Weight

- 50 g (1.8 oz)

Housing Color

- White

Housing Material

- Plastic

Mounting Options

- Luminaire Integration
- Independent Ceiling Integration is optional and requires the purchase of ECO CI KIT

WARRANTY

- Standard warranty is in effect for a period of five (5) years from the date of shipment.¹

CERTIFICATIONS & SAFETY

Approbations

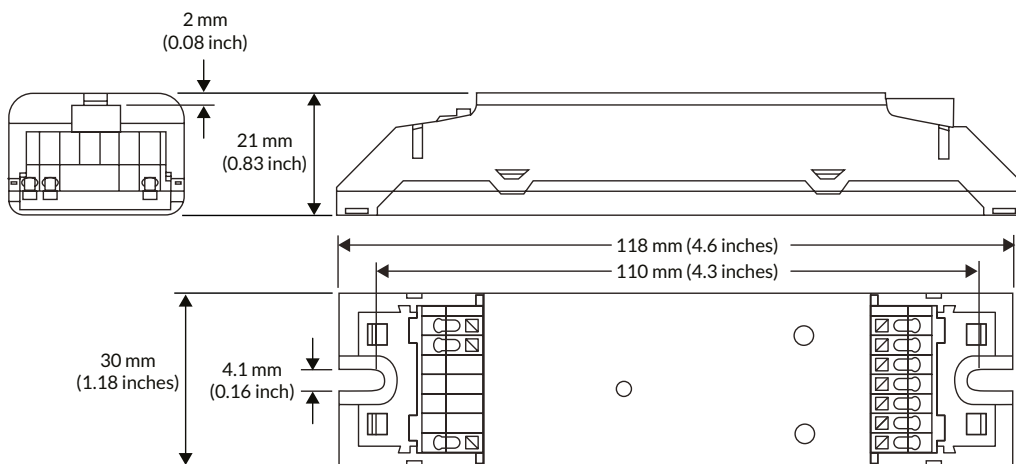
- CE

Environmental Suitability

- IP20



Dimensions



Footnotes:

¹ This does not apply to: (1) damage caused by accident, mishandling, or dropping; (2) materials which have been subject to unauthorized repair; (3) materials not used in accordance with instructions; (4) ordinary wear and tear.

ECO CI KIT Specifications

PHYSICAL

Dimensions (H x W x D)

- ECO CI KIT installed on DALI Sensor Coupler E
23 x 33 x 146 mm (0.9 x 1.3 x 5.7 inches)

Weight

- 20 g (0.7 oz)

Housing Color

- Green

Housing Material

- Plastic

Mounting Options

- Independent Ceiling Integration strain relief housing kit for WLC, DALI HF LS LI Coupler, and DALI Sensor Coupler E

WARRANTY

- Standard warranty is in effect for a period of five (5) years from the date of shipment.¹

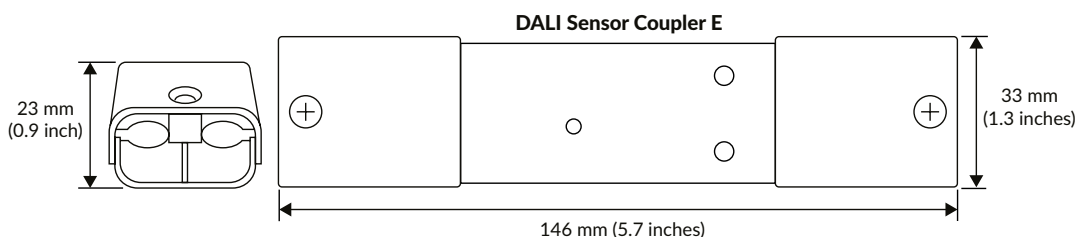
CERTIFICATIONS & SAFETY

Approbations

- CE



Dimensions



Ordering Information

Catalog Number	Description	Approbation	Communication Network
DALI COUPLER E G2	DALI Sensor Coupler E	CE	DALI
ECO-CI-KIT	ECO CI KIT	CE	—

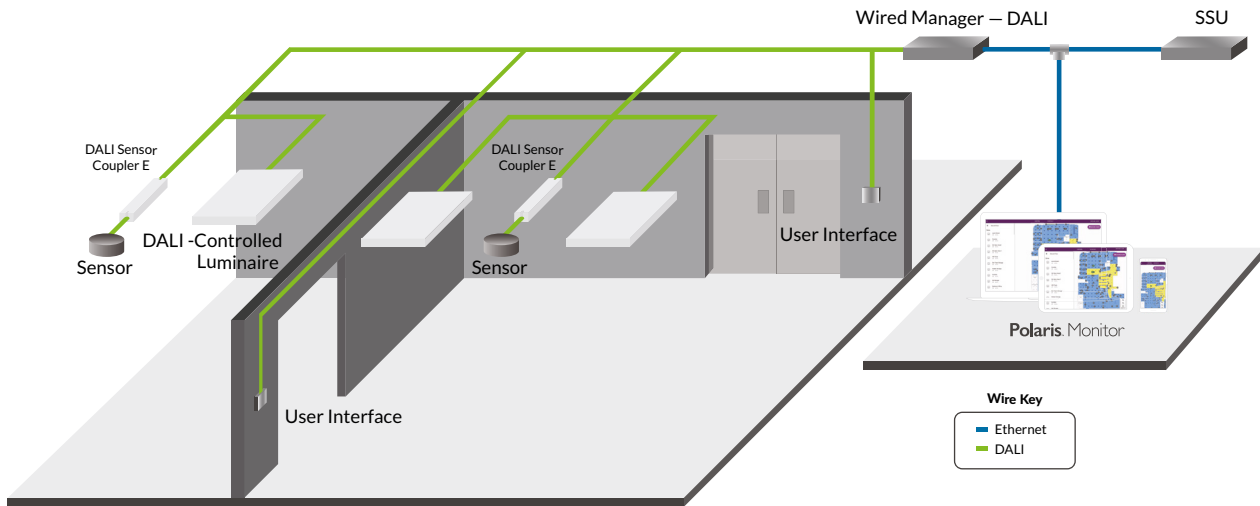
Note: The ECO CI KIT is sold separately and required for independent ceiling mount installations only.

Footnotes:

¹ This does not apply to: (1) damage caused by accident, mishandling, or dropping; (2) materials which have been subject to unauthorized repair; (3) materials not used in accordance with instructions; (4) ordinary wear and tear.

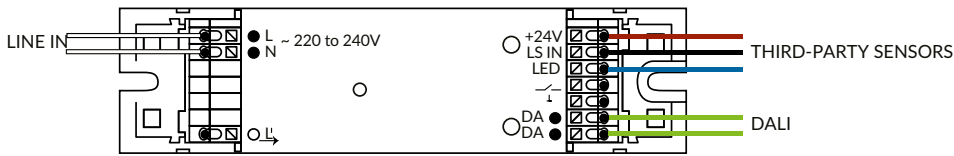
Wired System Overview

Encelium Extend enables you to control DALI devices. With any Encelium wired design, you get a reliable, lighting control system that can be installed quickly and easily.

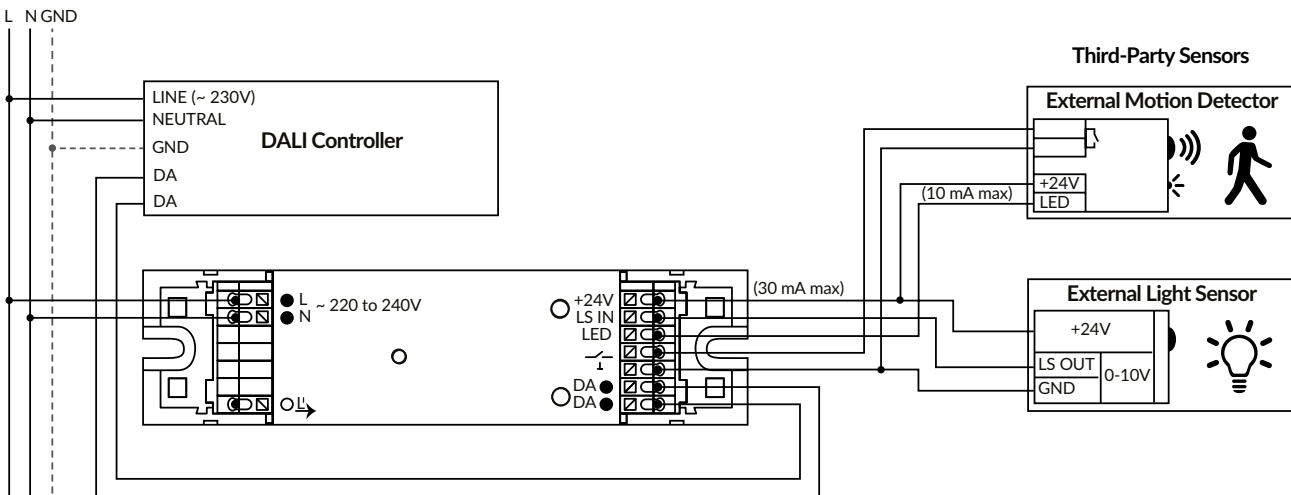


Wiring Diagrams

DALI Sensor Coupler E Wiring

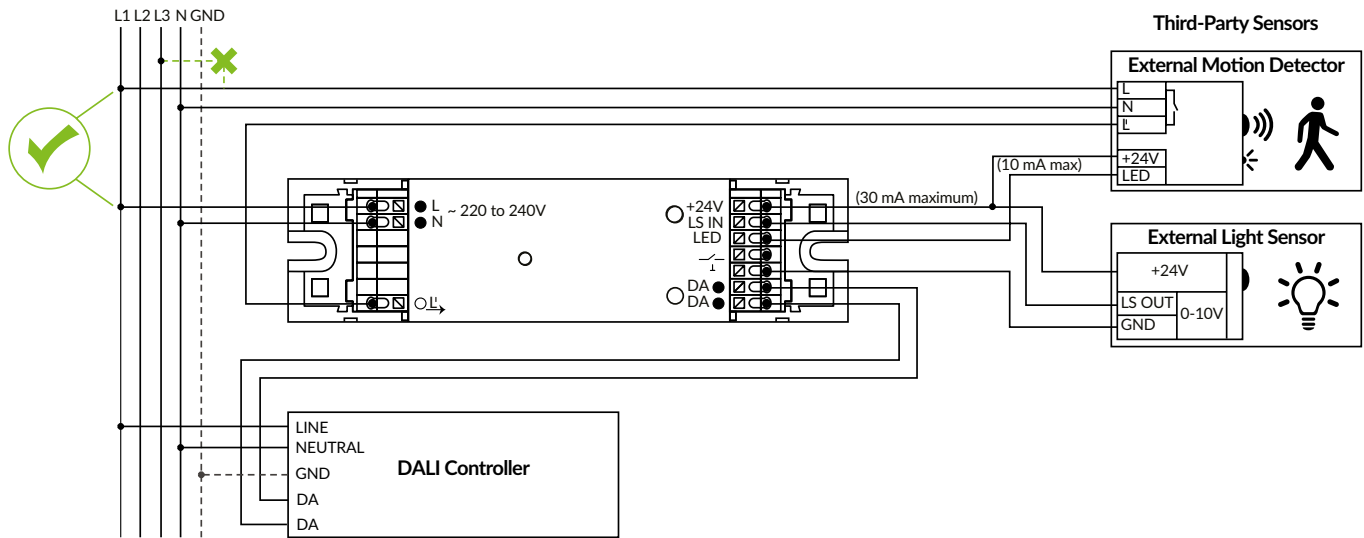


External Motion Detector with Floating Contact Wiring



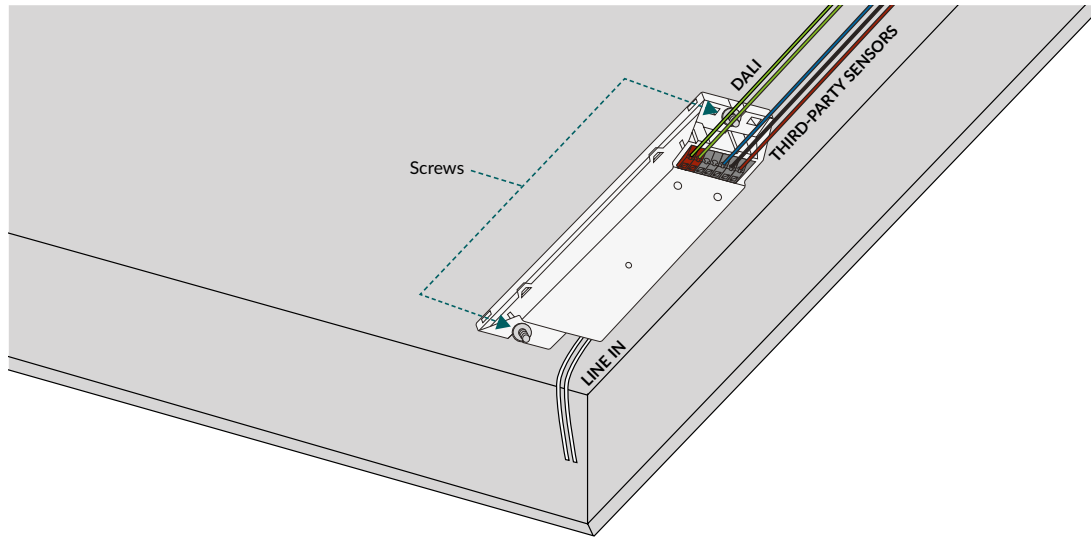
Wiring Diagrams (cont.)

External Motion Detector with Switched Mains Wiring



Mounting Options

Luminaire Integration



Independent Ceiling Integration

