

DALI Sensor Coupler E

Luminaire Integrated DALI Coupler

Date: _____

Quantity: _____

Company: _____

Project: _____



The **DALI Sensor Coupler E** allows integration of external light and presence sensors into the Encelium X System.

The DALI Sensor Coupler E enables each sensor to be independently configured to best meet the needs of the facility.

It is suitable for luminaire integrated mounting and can also be mounted in a ceiling with the optional ECO CI Kit.

Works with

- Encelium X
 - ▶ DALI Wired



Key Features & Benefits

- Integrates with third-party daylight and occupancy sensors

DALI Sensor Coupler E Specifications

SENSING AND CONTROL

Sensing

- Third-party presence sensing via dry contact
- Third-party light sensing via 0-10V

Control

- DALI Communication

Number of Control Outputs

- 1

ELECTRICAL

Power Consumption

- 2 mA – DALI

Input Voltage

- 230 VAC, 50/60 Hz

ENVIRONMENTAL

Operating Temperature

- -20° to 50°C (-4° to 122°F)

PHYSICAL

Dimensions (H x W x D)

- 21 x 30 x 118 mm (0.83 x 1.2 x 4.6 inches)

Weight

- 50 g (1.8 oz)

Housing Color

- White

Housing Material

- Plastic

Mounting Options

- Luminaire Integration
- Independent Ceiling Integration is optional and requires the purchase of ECO CI KIT

WARRANTY

- For warranty details, refer to the full warranty documentation at encelium.com

CERTIFICATIONS & SAFETY

Approbations

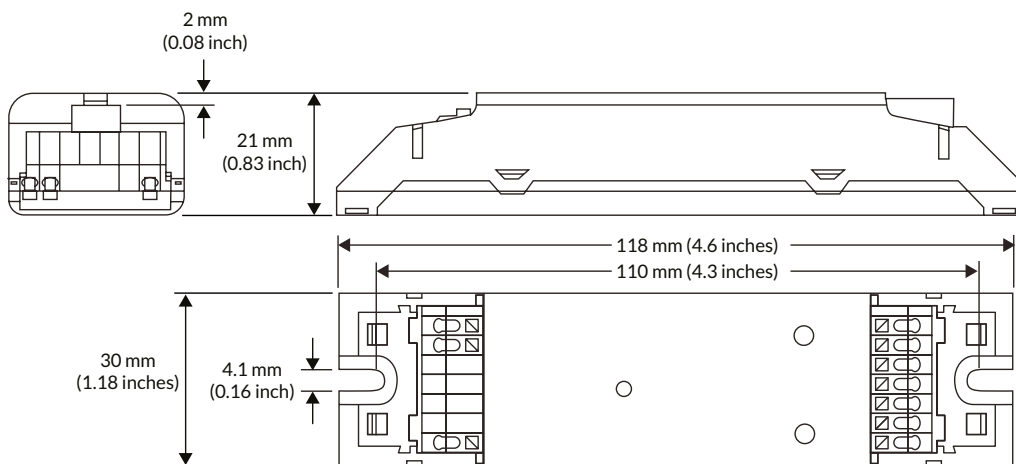
- CE

Environmental Suitability

- IP20



Dimensions



ECO CI KIT Specifications

PHYSICAL

Dimensions (H x W x D)

- ECO CI KIT installed on DALI Sensor Coupler E
23 x 33 x 146 mm (0.9 x 1.3 x 5.7 inches)

Weight

- 20 g (0.7 oz)

Housing Color

- Green

Housing Material

- Plastic

Mounting Options

- Independent Ceiling Integration strain relief housing kit for WLC, DALI HF LS LI Coupler, and DALI Sensor Coupler E

WARRANTY

- For warranty details, refer to the full warranty documentation at encelium.com

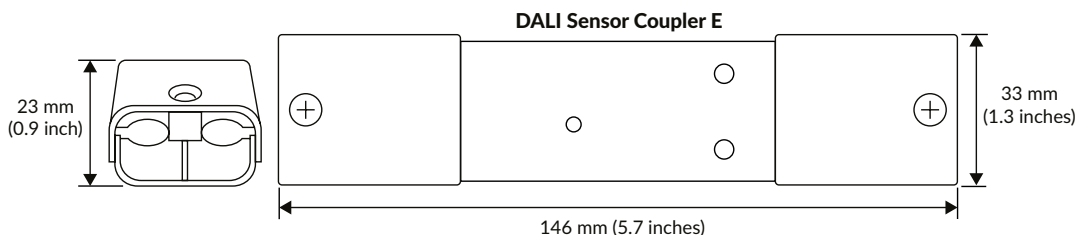
CERTIFICATIONS & SAFETY

Approbations

- CE



Dimensions



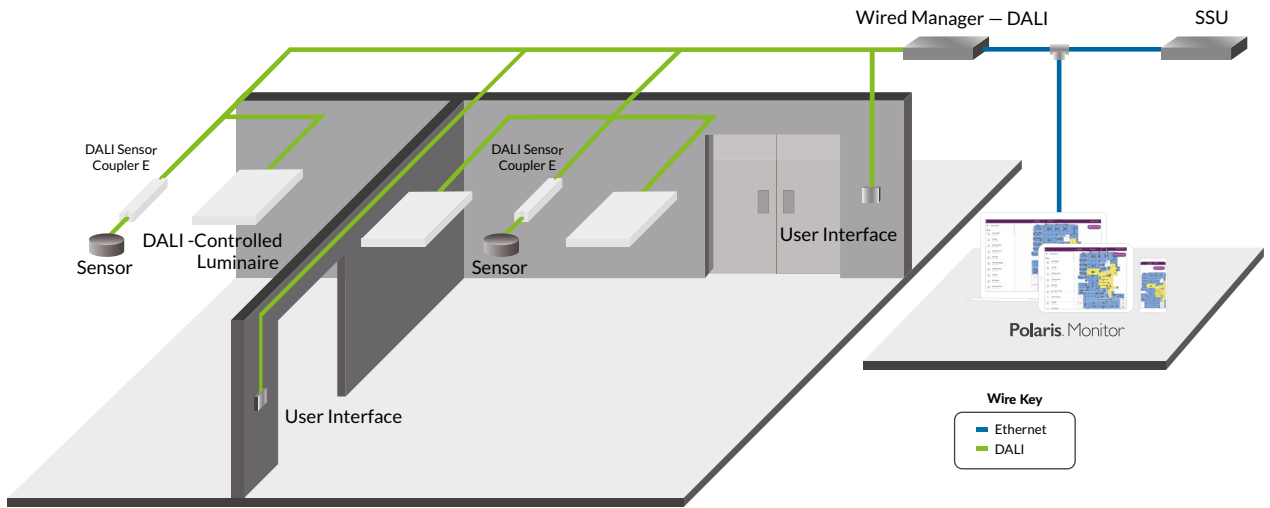
Ordering Information

Catalog Number	Description	Approbation	Communication Network
DALI COUPLER E G2	DALI Sensor Coupler E	CE	DALI
ECO-CI-KIT	ECO CI KIT	CE	—

Note: The ECO CI KIT is sold separately and required for independent ceiling mount installations only.

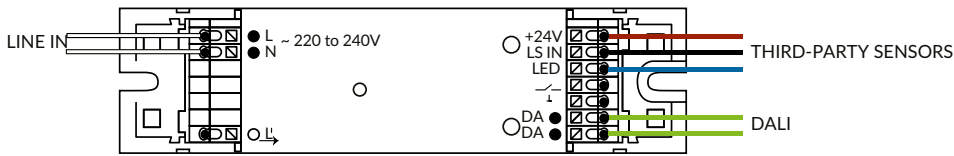
Wired System Overview

Encelium Extend enables you to control DALI devices. With any Encelium wired design, you get a reliable, lighting control system that can be installed quickly and easily.

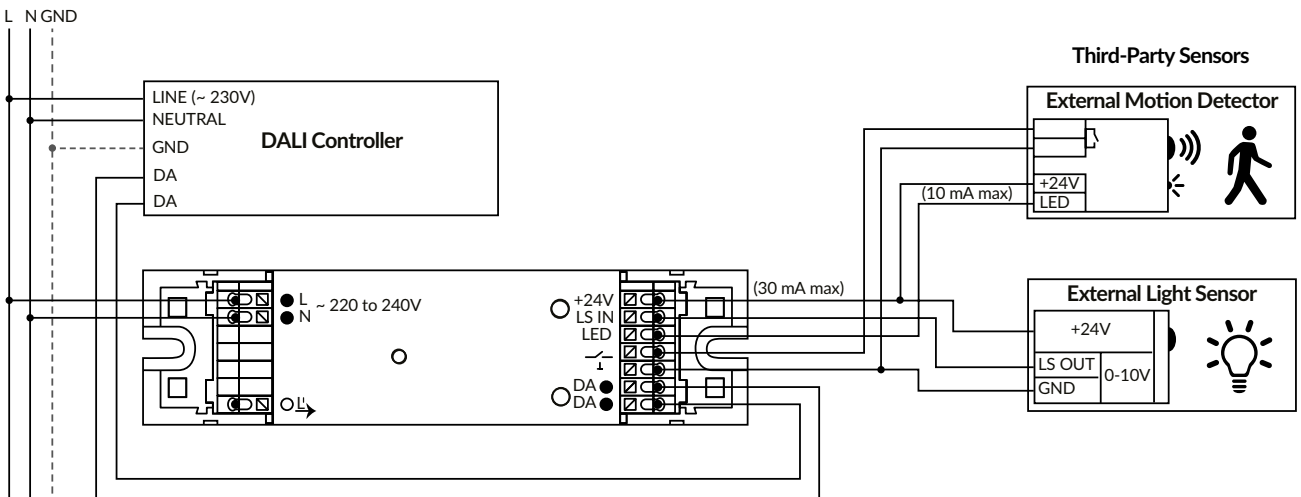


Wiring Diagrams

DALI Sensor Coupler E Wiring

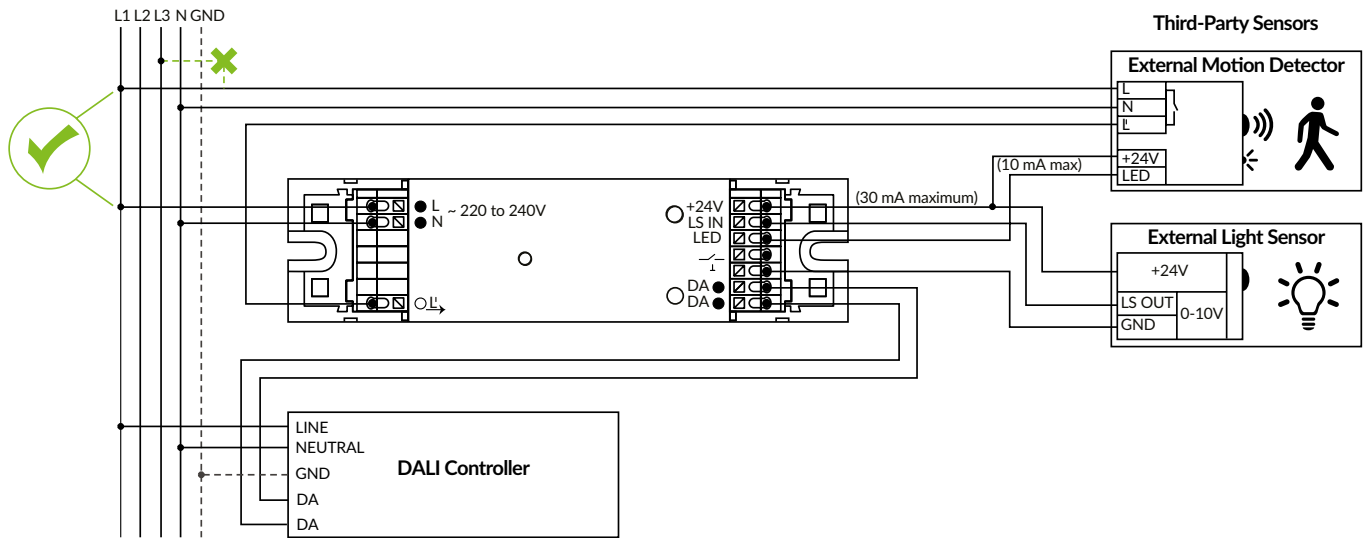


External Motion Detector with Floating Contact Wiring



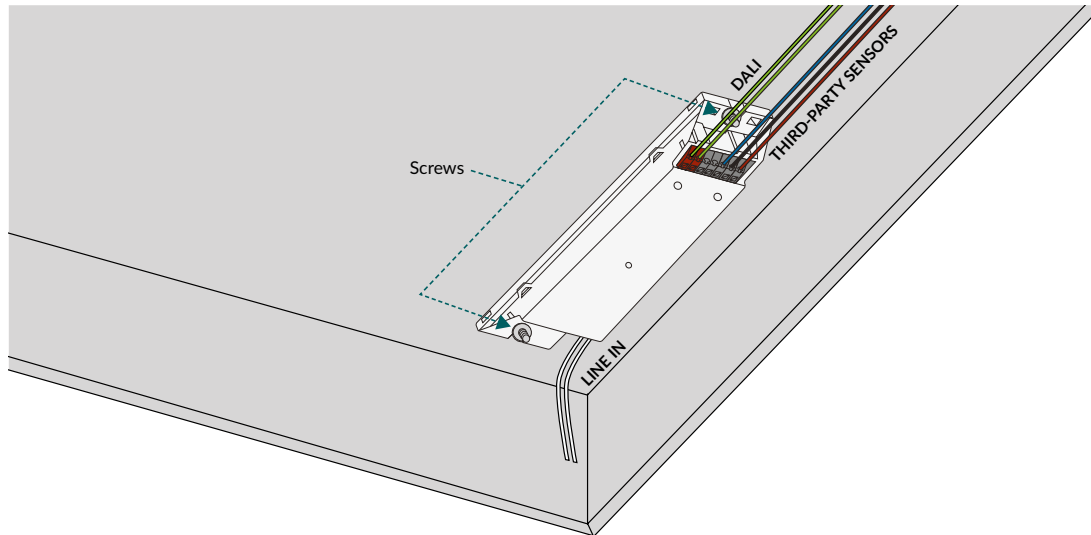
Wiring Diagrams (cont.)

External Motion Detector with Switched Mains Wiring



Mounting Options

Luminaire Integration



Independent Ceiling Integration

