

RPM

Relay Panel Enclosure, Relay Panel Module, and Relay

Date: _____

Quantity: _____

Company: _____

Project: _____



Relay Panel Enclosure is an addressable lighting control panel that allows each relay to be individually controlled and configured to best meet the needs of the facility. Lighting Control strategies such as time scheduling, occupancy control, and daylight harvesting can be deployed through the use of the Relay Panel Enclosure. Each Relay in the Relay Panel Enclosure is addressed individually. Multiple Relay Panel Enclosures can be daisy-chained as part of the overall system architecture through the GreenBus™ communication network.

Relay Panel Module is an electronic retrofit module that enables existing relay panels/boxes to be integrated with Encelium X. The Relay Panel Module can be installed in most standard relay panels utilizing existing electrical wiring and relays. It is mounted in the center of the existing panel (replaces old circuiting) and is wired to the existing relays in the panel. This allows each Relay to be addressed individually.

Each **Relay** connected to a relay panel module is individually addressable and provides all of the benefits and control strategies in the Lighting Control System.

Works with

- Encelium X
 - ▶ GreenBus Wired



Key Features & Benefits

- Maximum of 24 Relays per Relay Panel Enclosure. Multiple Relay Panel Enclosures can be connected together to accommodate requirements above 24 relays
- Easy wiring and connection with GreenBus
- Meets UL916 (Energy Management Equipment) and Emergency rated Relay Panel Enclosure meets UL924 (Emergency Lighting Equipment)
- Each Relay Panel Enclosure is individually addressable, controlled as a zone, or as part of a larger zone, and is managed by Polaris™ software

ENCELIUM

Specifications

SENSING AND CONTROL

Control

- GreenBus Communication

Control Option

- 2-wire relays (NAED 45349: RLY-700)¹ – Relay Panel Module

Maximum Number of Relays

- Up to 24 Relays per Relay Panel Enclosure. Multiple Relay Panel Enclosures can be connected together to accommodate requirements above 24 relays Install in accordance with all applicable national and local electrical and building codes

ELECTRICAL

Relay Panel Module Power Supply

- 24 VAC, 50/60 Hz, 1.6A (40 VAC)

Input Voltage

- 120–347V

Maximum Load

- 20A per Relay

ENVIRONMENTAL

Ambient Temperature

- 60°C (140°F) maximum

PHYSICAL

Dimensions (H x W x D)

- Relay
60 x 96 x 25.4 mm (2.4 x 3.8 x 1 inches)
- Relay Panel Module
45.7 x 368.3 x 58.4 mm (1.8 x 14.5 x 2.3 inches)
- Relay Panel Enclosure
489 x 463.5 x 102 mm (19.25 x 18.25 x 4 inches)

Weight

- 0.18 kg (6.3 oz) – Relay
- 0.39 kg (13.7 oz) – Relay Panel Module
- 23.6 kg (832.5 oz) – Relay Panel Enclosure

Housing Color

- White – Relay
- Gray – Relay Panel Module
- Black – Relay Panel Enclosure

Housing Material

- Plastic – Relay
- Plastic – Relay Panel Module
- Metal – Relay Panel Enclosure

Mounting Options

- Wall Mount (Relay Panel Enclosure)
- DIN Rail Mount, 35 mm (1.38 inches) size (Relay Panel Module)

WARRANTY

- Standard warranty is in effect for a period of five (5) years from the date of shipment.²

CERTIFICATIONS & SAFETY

Approbations

- UL 916 (Energy Management Equipment)
- UL 924 (Emergency Lighting Equipment)
- FCC Part 15, Class A/ICES-003, Class A

Environmental Suitability

- Rated for Indoor Use

Complies with Electromagnetic Compatibility (EMC) Standards:

- EN 61000-4-2
- EN 61000-4-4
- EN 61000-4-5



GreenBus.

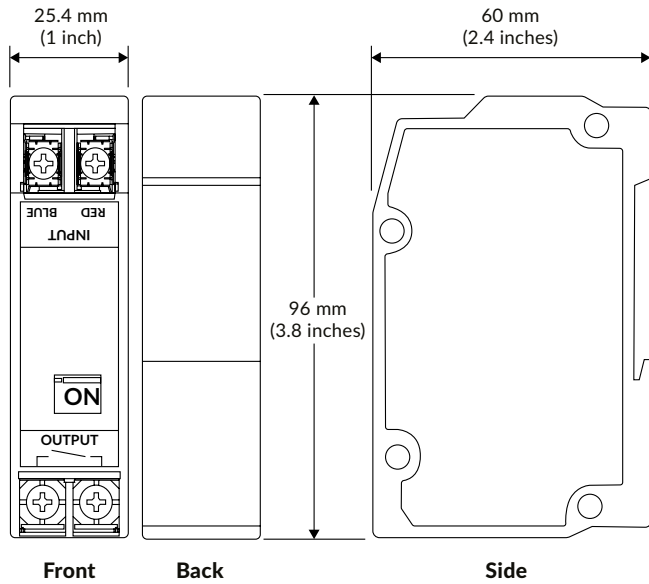
Footnotes:

¹ Other relays also available/controllable.

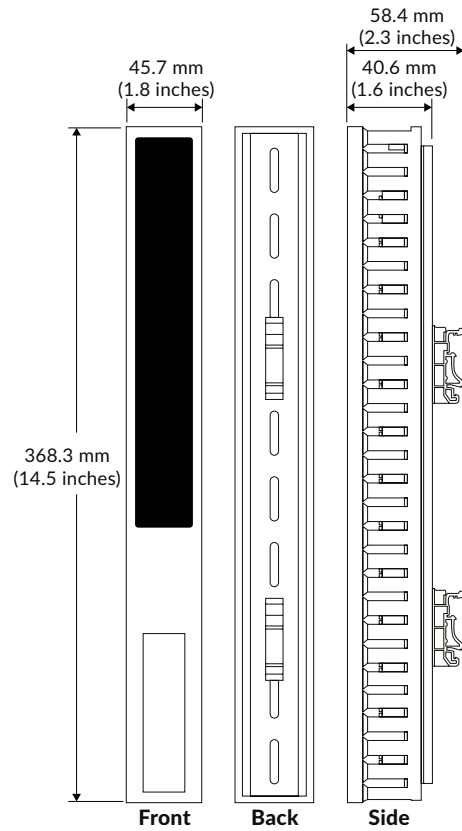
² This does not apply to: (1) damage caused by accident, mishandling, or dropping; (2) materials which have been subject to unauthorized repair; (3) materials not used in accordance with instructions; (4) ordinary wear and tear.

Dimensions

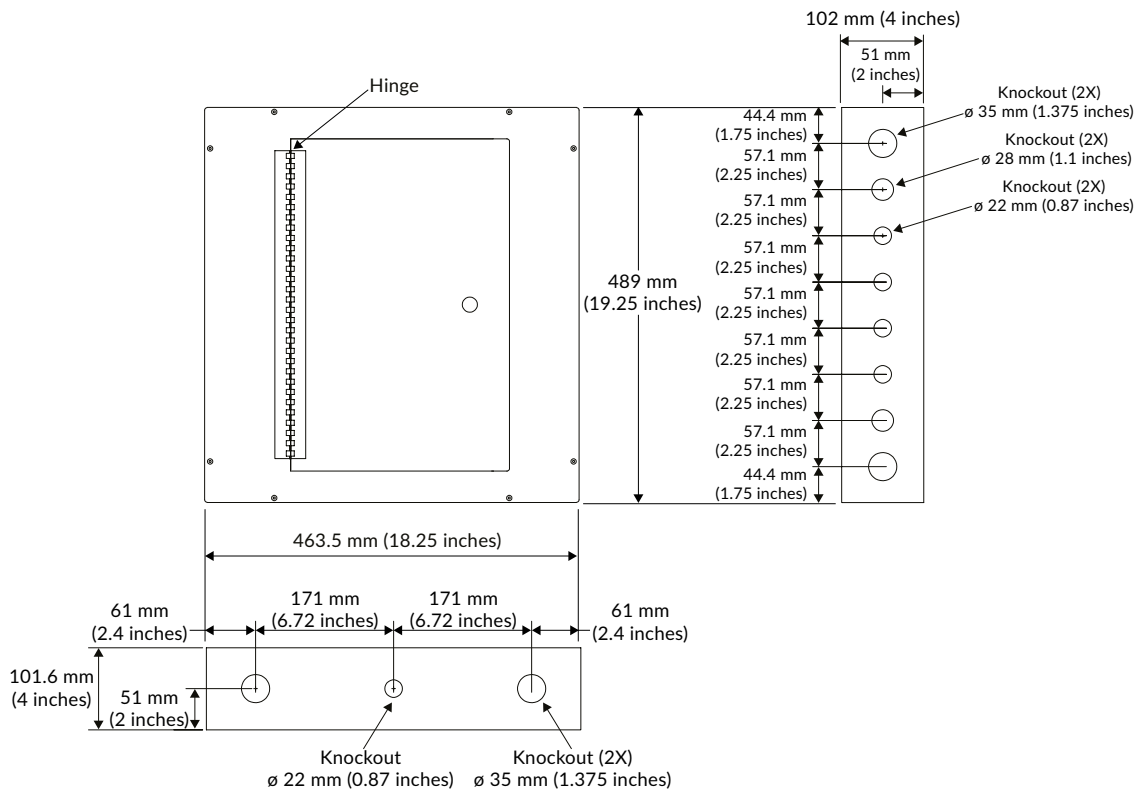
Relay



Relay Panel Module



Relay Panel Enclosure



Ordering Information

Relay

Catalog Number	Description	Approbations	Communication Network	Modifiers
RLY-700	Relay	UL	GreenBus	—

Relay Panel Module

Catalog Number	Description	Approbations	Communication Network	Modifiers
EN-RPM-24C-GB2	Relay Panel Module	UL	GreenBus	UL924 Emergency Rated

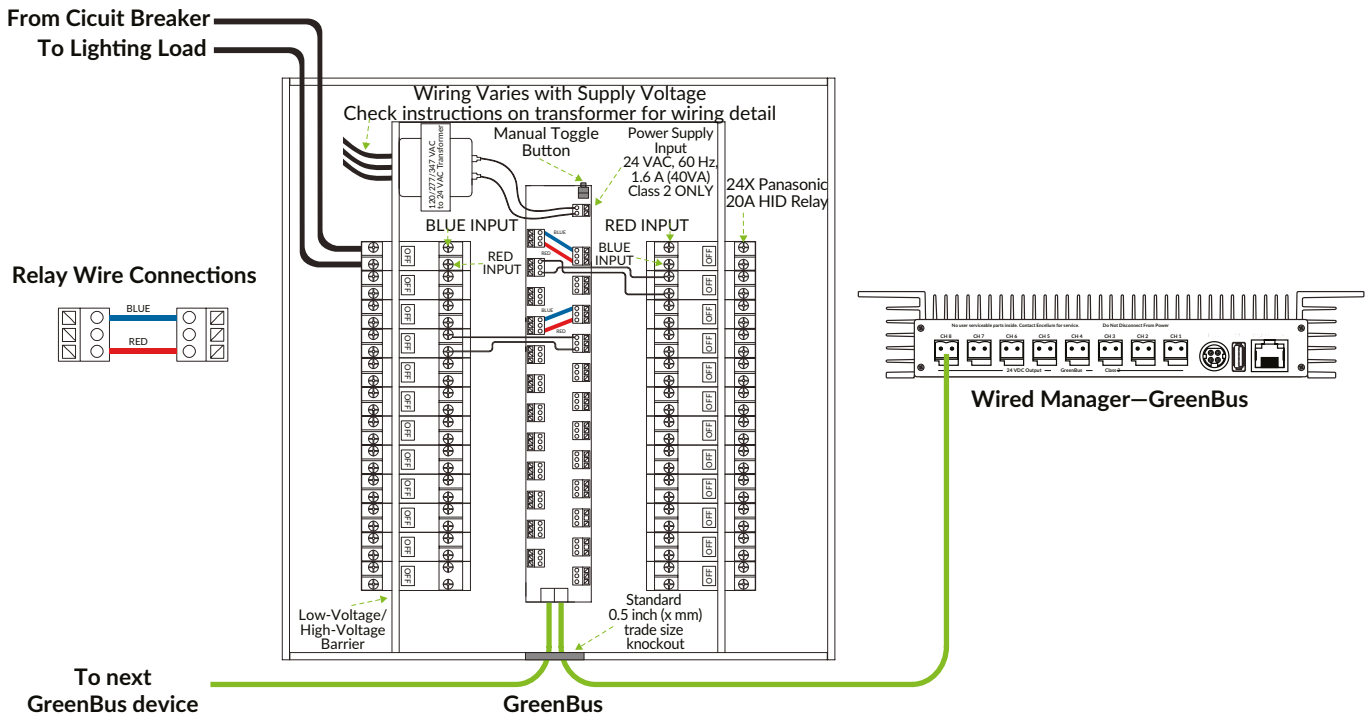
Relay Panel Enclosures²

Catalog Number	Description	Number of Relays	Ratings
EN-RPA0R120-347V	Relay Panel Enclosure	0	UL924 Emergency Equipment
EN-RPA8R120-347V	Relay Panel Enclosure	8	UL924 Emergency Equipment
EN-RPA12R120-347V	Relay Panel Enclosure	12	UL924 Emergency Equipment
EN-RPA18R120-347V	Relay Panel Enclosure	18	UL924 Emergency Equipment
EN-RPA24R120-347V	Relay Panel Enclosure	24	UL924 Emergency Equipment

² All relay panel assemblies come assembled with a relay panel enclosure, relay panel module, a transformer, and relays (except for the EN-RPA0R120-347V which does not include relays).

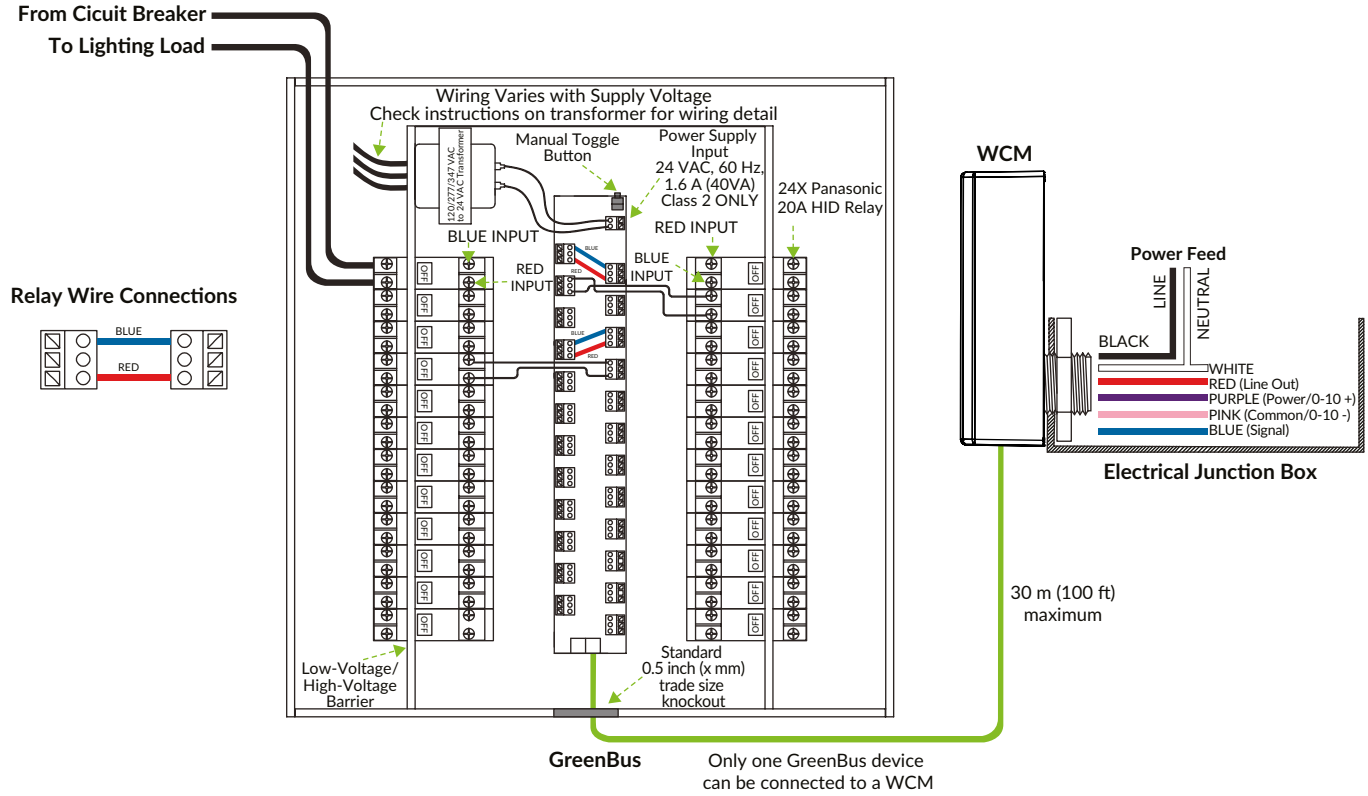
Wiring Diagrams

RPM to Wired Manager – GreenBus Wiring Diagram



Wiring Diagrams (cont.)

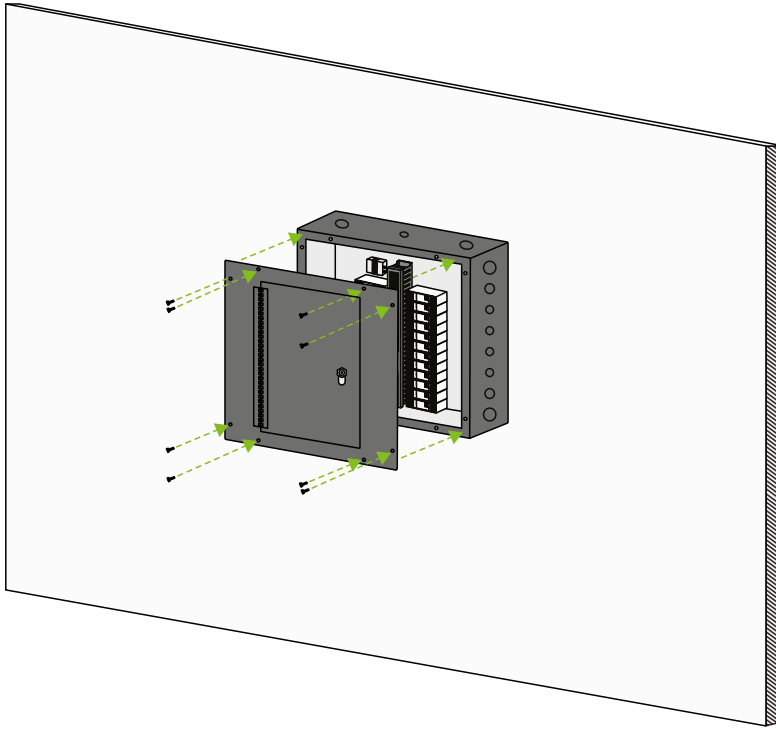
RPM Wireless System Integration Wiring Diagram



Mounting Options

Wall Mount

The Relay Panel Enclosure mounts directly to the wall using screws to secure it into place. Once the enclosure is securely in place, put the cover on the enclosure box and tighten all the screws.



DIN Rail Mount

The Relay Panel Module mounts directly into the Relay Panel Enclosure using a DIN Rail.

