

# PCDM

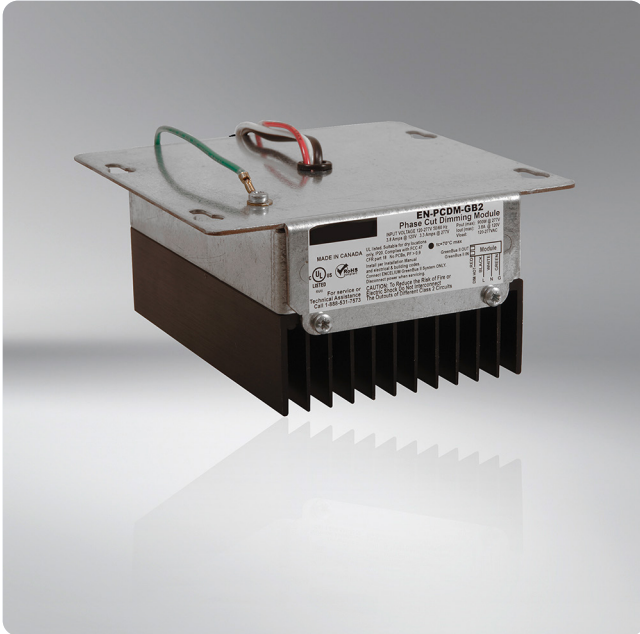
## Phase-Cut Dimming Module

Date: \_\_\_\_\_

Quantity: \_\_\_\_\_

Company: \_\_\_\_\_

Project: \_\_\_\_\_



The **Phase-Cut Dimming Module (PCDM)** provides an interface between the phase-cut dimmable (forward- and reverse-phase) luminaires and the Encelium X Lighting Control System. Individually addressable, the PCDM enables each group or zone of luminaires to be independently controlled and configured to best meet the needs of the facility.

The PCDM is designed to control common load types such as Incandescent/Halogen lamps, Fluorescent ballasts, LED luminaires, and LED/CF lamps. The luminaires connected to a PCDM can then be controlled by any of the Encelium wall station controllers, touch screen panels, or from Polaris™ software. The PCDM has a built-in relay that provides ON/OFF switching control, in addition, to smoothly dimming luminaires.

### Works with

- Encelium X
  - ▶ GreenBus Wired



### Key Features & Benefits

- Adjusts light levels to respond to variable lighting requirements
- Enables scheduling luminaire group operation to lower energy use during off-peak occupancy
- Customizing lighting scenes for tailored experiences/tasks
- Allows adjustment of luminaire group assignments for modified space layouts

## Specifications

---

### SENSING AND CONTROL

#### Control

- Wireless Communication (via tethering)
- GreenBus Communication

#### Control Option

- Phase-Cut (Forward, Reverse and Ballast) dimming output

#### Controllable Load Types

- Incandescent/Halogen
- Fluorescent ballasts
- LED luminaires
- Compatible LED/CFL lamps

### ELECTRICAL

#### Maximum Output Load Ratings

- 120 VAC, 450 W, 3.8 A maximum
- 277 VAC, 900 W, 3.3 A maximum

#### Input Voltage

- 120 to 277 VAC, 50/60 Hz

#### Short Circuit Protection

- Built-in

#### Transient Protection

- ANSI C62.41 Category A

#### Connections

- Black: Line In
- Red: Line Out
- White: Neutral
- Green: Ground

### ENVIRONMENTAL

#### Operating Temperature

- 0° to 40°C (32° to 104°F)

#### Maximum Case Temperature

- 0° to 70°C (32° to 158°F)

### PHYSICAL

#### Dimensions (H x W x D)

- 57 x 120.7 x 127 mm (2.2 x 4.7 x 5 inches)

#### Weight

- 595.3 g (21 oz)

#### Housing Color

- Black and Silver

#### Housing Material

- Metal

#### Mounting Option

- Junction Box Mount (119.1 mm (4.6875 inches) Standard Square)

#### Cable Length

- 254 mm (10 inches)

### WARRANTY

- Standard warranty is in effect for a period of five (5) years from the date of shipment.<sup>1</sup>

### CERTIFICATIONS & SAFETY

#### Approbations

- UL916 (Energy Management Equipment)
- UL924 cUL US Listed (Emergency Lighting Equipment)
- FCC Part 18/CRR 47
- RoHS Compliant

#### Environmental Suitability

- Indoor Dry Locations Only

#### Complies with Electromagnetic Compatibility (EMC) Standards:

- EN 61000-4-2

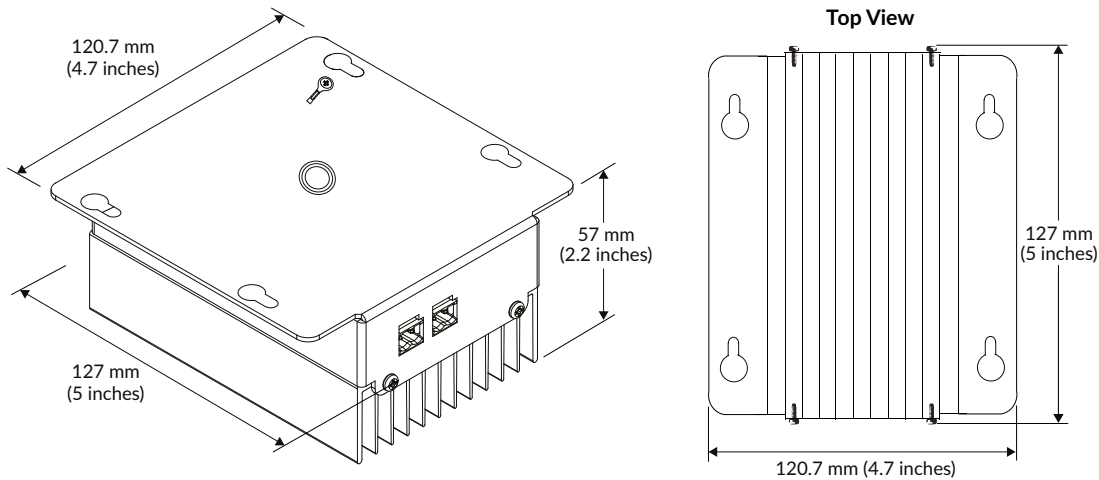


**GreenBus**<sup>™</sup>

#### Footnotes:

<sup>1</sup> This does not apply to: (1) damage caused by accident, mishandling, or dropping; (2) materials which have been subject to unauthorized repair; (3) materials not used in accordance with instructions; (4) ordinary wear and tear.

## Dimensions



## Ordering Information

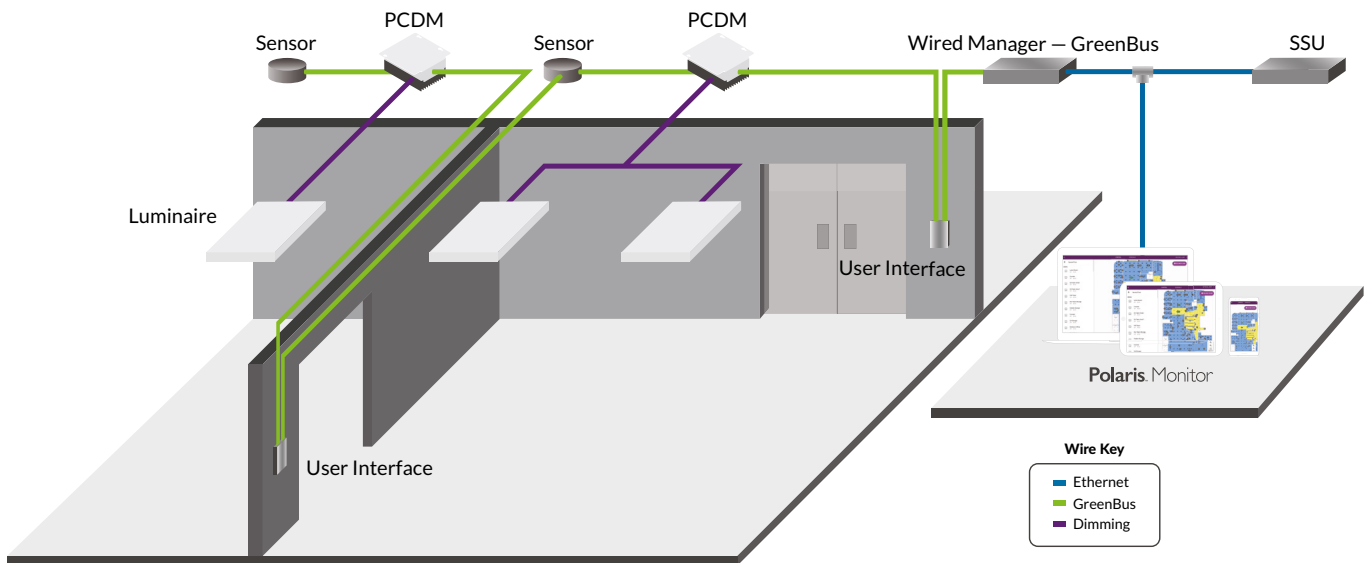
Catalog Number	Description	Approbation	Communication Network
EN-PCDM-GB2	Phase-Cut Dimming Module	UL	GreenBus

The PCDM is compatible with incandescent/Halogen lamps and ELV LED lamps or LED drivers. It is not compatible with ELV/MLV transformers or MLV LED drivers. The parts listed below are identified as **incompatible** loads.

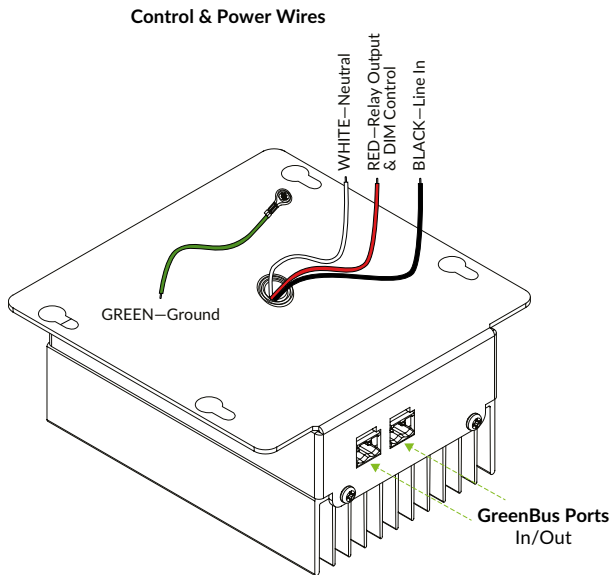
Manufacturer	Ordering Code	Description
Luminii	PSD Series	Class 2
Luminance	L7510-1 A19	Dimmable LED Light Bulb

## Wired System Overview

GreenBus technology makes wiring fast and error-free, since it's intuitive to install. With Encelium X, you can control DALI devices exclusively or a mixture of GreenBus and DALI.



## Wiring Diagram



## Mounting Option

### Junction Box Mount

The mechanical construction allows for simple installation of the PCDM on top of a standard square 119.1 mm (4.6875 inches) junction box. It is recommended to use a 119.1 mm (4.6875 inches) junction box as the mounting holes on the PCDM properly align with the holes on the junction box. GreenBus communication wiring is still accessible from the outside of the junction box, while all necessary wiring to the load (single or multiple ballasts/LED luminaires) is done on the inside.

The recommended maximum distance between the PCDM and the last luminaire it controls is 15.2 m (50 ft).

