

WSLC

Wireless Site Lighting Control Module

Date: _____

Quantity: _____

Company: _____

Project: _____



The **Wireless Site Lighting Control (WSLC)** Module extends the Encelium X lighting controls capability to a building's surroundings or sites such as parking lots and short pathways, via a wireless mesh network.

The WSLC installs on top of a light pole via an ANSI C136.41 compliant 3-, 5-, or 7-pin twist-lock connector.

The WSLC is individually addressable via the Encelium X Wireless Manager and can switch luminaires ON/OFF via an integrated high current relay, dim luminaires equipped with 0-10V dimming drivers or ballasts, DEXAL or DALI dimming drivers or ballasts, and has an input for an external occupancy sensor.

This product may qualify for commercial lighting rebates on new construction or retrofit projects. Learn more about commercial lighting incentives and rebates.

Works with

- Encelium X
 - ▶ Wireless



Key Features & Benefits

- Wireless control with up to 10A switching
- Compatible with 0-10V, DALI or DEXAL drivers for ON/OFF and dimming control
- Sleek low-profile, provides autonomous operation via photocell with Input for external occupancy sensor
- With Polaris™ software you can control time scheduling, astronomical clock operation, daylight harvesting, partial OFF states, occupancy mode, all with energy reporting and metering

Specifications

SENSING AND CONTROL

Control

- Wireless Communication

Control Options

- 20 dBm transmit power
- Single dimming output that is 0-10V (IEC 60929 Annex E), DALI or DEXAL compatible
- Sink/source 10 mA
- Maximum 20 mA, minimum 18V, nominal 19.5V sensor input

Wireless Range

- Up to 150 m (500 ft) line of sight between modules

ELECTRICAL

Operating Voltage

- 120 to 347 V, 50/60 Hz

Power Consumption

- <1 W at no load

Loading Rate

- 10A – Electronic driver/ballast, magnetic ballast, resistive load

Surge Protection

- 6 kV, 3 kA

Transmitter Power

- +20 dBm

Power Metering (V, I, P, Energy)

- Accuracy s <2% from 0.5A to 10A load
- Accuracy is <5% below 0.5A

Radio Frequency

- 2.4 GHz

Connections

- Brown: Sensor Input
- Orange: Sensor Power Supply
- Black: Line In
- White: Neutral
- Red: AC to Driver
- Purple: 0-10V +
- Pink: 0-10V -

ENVIRONMENTAL

Operating Temperature

- -40° to 65°C (-40° to 150°F)

Relative Humidity

- 0% to 95%

PHYSICAL

Dimensions (H x D)

- 66.4 x Ø 84 mm (2.6 x Ø 3.3 inches)

Weight

- 200 g (7 oz)

Housing Color

- Black

Housing Material

- ABS Plastic

Mounting Options

- Installs via ANSI C136.41 compliant twist-lock connector

WARRANTY

- Standard warranty is in effect for a period of five (5) years from the date of shipment.¹

CERTIFICATIONS & SAFETY

Approbations

- UL916/773 cUL US Listed
- Meets ASHRAE Standard 90.1 and CEC Title 24 requirements
- FCC Part 15/ICES-003
- RoHS Compliant

Environmental Suitability

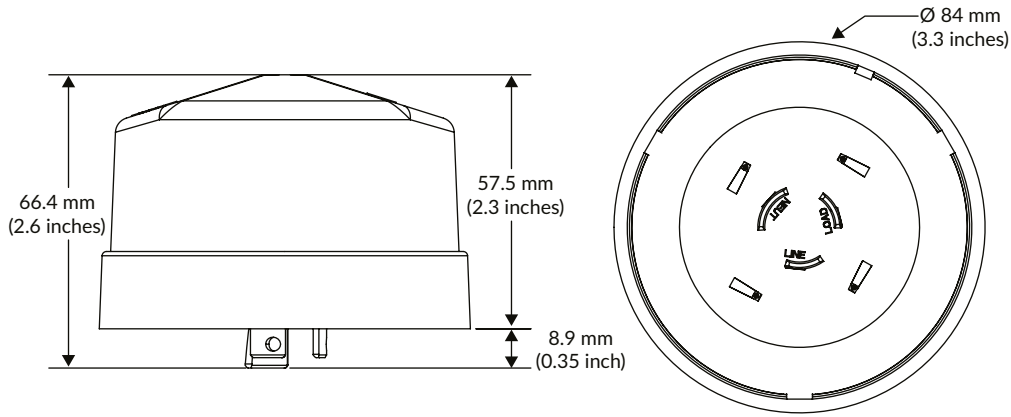
- IP66



Footnotes:

¹ This does not apply to: (1) damage caused by accident, mishandling, or dropping; (2) materials which have been subject to unauthorized repair; (3) materials not used in accordance with instructions; (4) ordinary wear and tear.

Dimensions

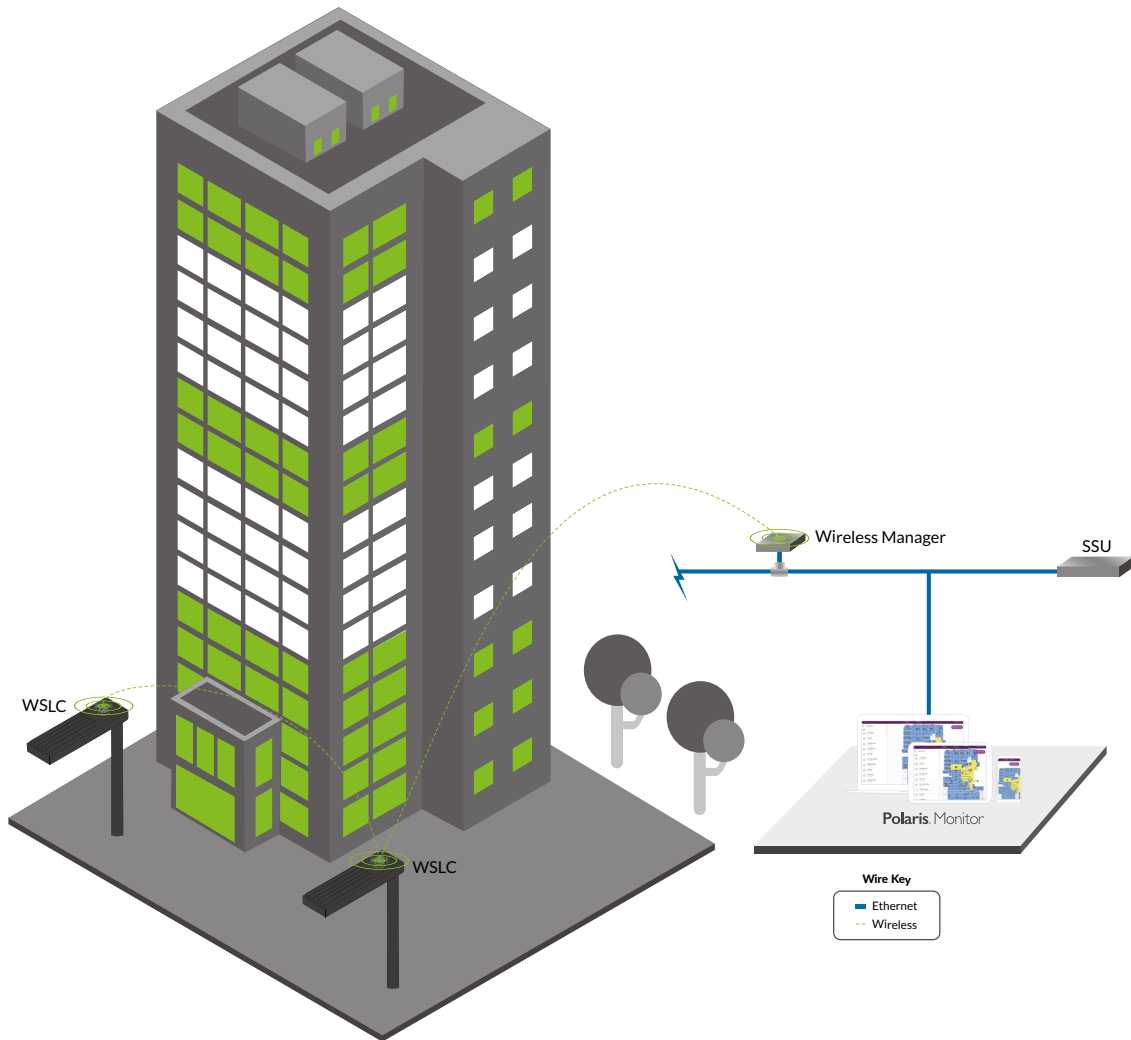


Ordering Information

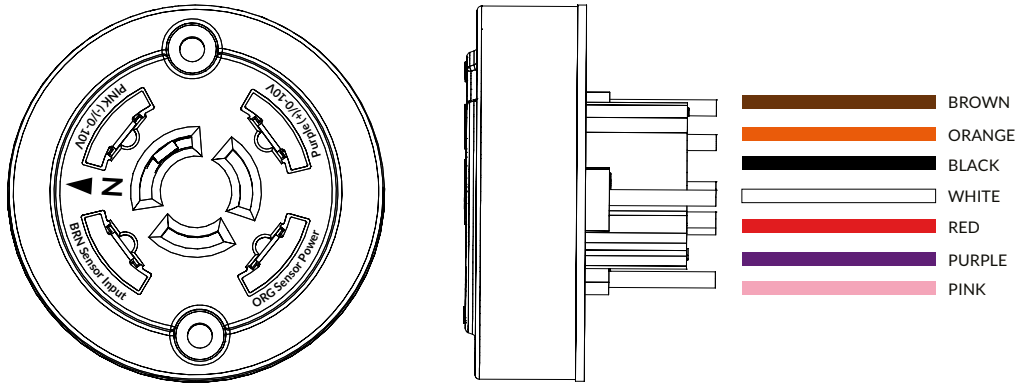
Catalog Number	Description	Approbation	Communication Network
EN-OC-SLC-ZB	Wireless Site Lighting Control	UL	Wireless

Wireless System Overview

This illustration shows how each component is easily integrated into the Encelium X Lighting Control System.



Wiring Diagram



Mounting Option

Place the WSLC firmly into the ANSI C136.41 compliant 7-pin twist-lock receptacle and twist it clockwise (install arrow) until it locks in place.

