

# SIM

## Sensor Interface Module

Date: \_\_\_\_\_

Quantity: \_\_\_\_\_

Company: \_\_\_\_\_

Project: \_\_\_\_\_



The **SIM (Sensor Interface Module)** provides an interface between sensors such as occupancy and photosensors to the GreenBus communication network.

The SIM automatically detects and adjusts itself to the type of sensor it is wired to (i.e. photo sensor or occupancy sensor) and establishes two-way communication between the Wired Manager – GreenBus and itself. Individually addressable, the SIM enables each sensor to be independently configured to best meet the needs of the facility.

A damp-rated SIM is available for installations in interior locations subject to moderate degrees of moisture. Examples of this type of environment may include basements, above-ground parking garages, barns, and cold-storage warehouses as well as partially protected locations under canopies, marquees, and open-roofed porches.

### Works with

- Encelium X
  - ▶ GreenBus Wired



### Key Features & Benefits

- Suitable for luminaire or junction box mounting in standard Pg-7 (0.5 inch) trade-size knockout (Ø 0.034 mm / 0.875 inch)
- Connects to the Encelium X Lighting Control System via GreenBus communication cable
- Automatically detects and adjusts itself to the type of sensor it is connected to
- Acts as a single dry contact input for interfacing with third party systems like Fire Alarm, Security, etc.
- Automatically addressed as soon as it is connected to an Encelium X Manager

## Specifications

### SENSING AND CONTROL

#### Control

- GreenBus Communication

#### Control Option

- Two communication ports accept pre-terminated interconnected 18 AWG GreenBus cable

### ELECTRICAL

#### Operating Temperature

- 14° to 104°F (-10° to 40°C)

#### Voltage

- Class 2 Low-Voltage Device

### ENVIRONMENTAL

#### Operating Temperature

- 40° to 131°F (40° to 55°C)

### PHYSICAL

#### Dimensions (H x W x D)

- 25.6 x 60.7 x 30 mm (1 x 2.38 x 1.18 inches)

#### Weight

- 65 g (2.3 oz)

#### Housing Color

- Black

### Housing Material

- ABS Plastic

### Mounting Option

- Junction Box Mount (Standard Pg-7 (0.5 inch) trade-size knockout)

### WARRANTY

- For warranty details, refer to the full warranty documentation at [encelium.com](http://encelium.com)

### CERTIFICATIONS & SAFETY

#### Approbations

- cUL Listed
- UL916 Energy Management Equipment
- UL2043 Heat and Smoke Release for Air-Handling Spaces
- FCC Part 15/ICES-003

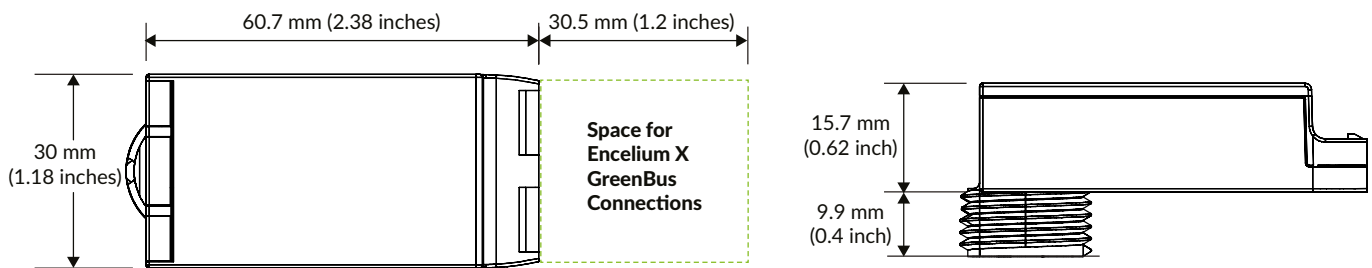
#### Complies with Electromagnetic Compatibility (EMC) Standards:

- EN 61000-4-2
- EN 61000-4-4
- EN 61000-4-5



GreenBus.

## Dimensions

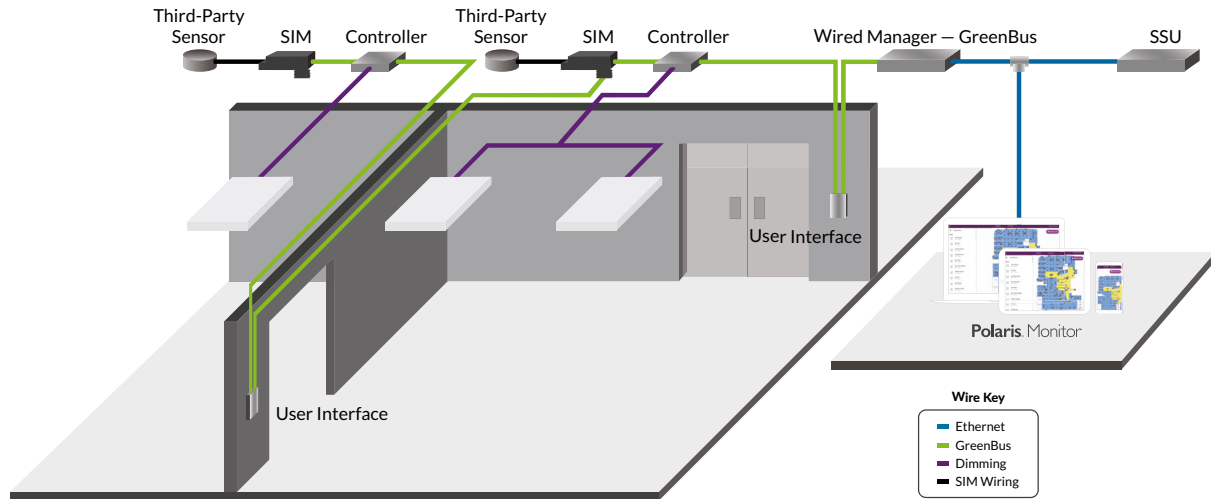


## Ordering Information

| Catalog Number        | Description             | Approbation | Communication Network | Modifiers                |
|-----------------------|-------------------------|-------------|-----------------------|--------------------------|
| EN-SIM-AI/SPS-GB2-BK  | Sensor Interface Module | UL          | GreenBus              | Black (BK)               |
| EN-SIM-AI/SPS-GB2BKDR | Sensor Interface Module | UL          | GreenBus              | Black/Damp-Rated (BK/DR) |

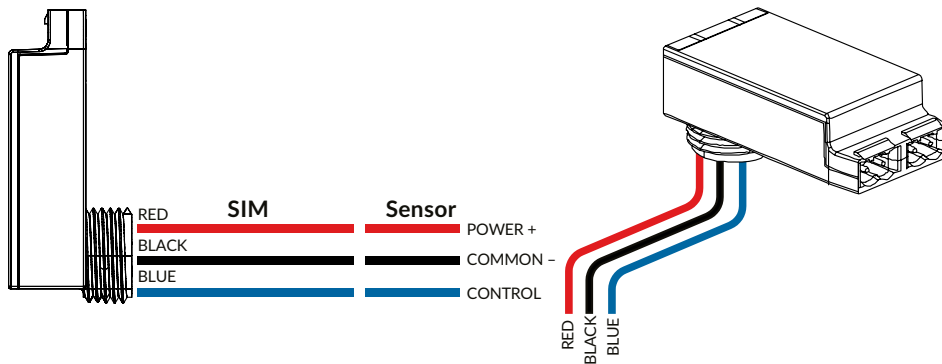
## Wired System Overview

GreenBus technology makes wiring fast and error-free, since it's intuitive to install. With Encelium X, you can control DALI devices exclusively or a mixture of GreenBus and DALI.

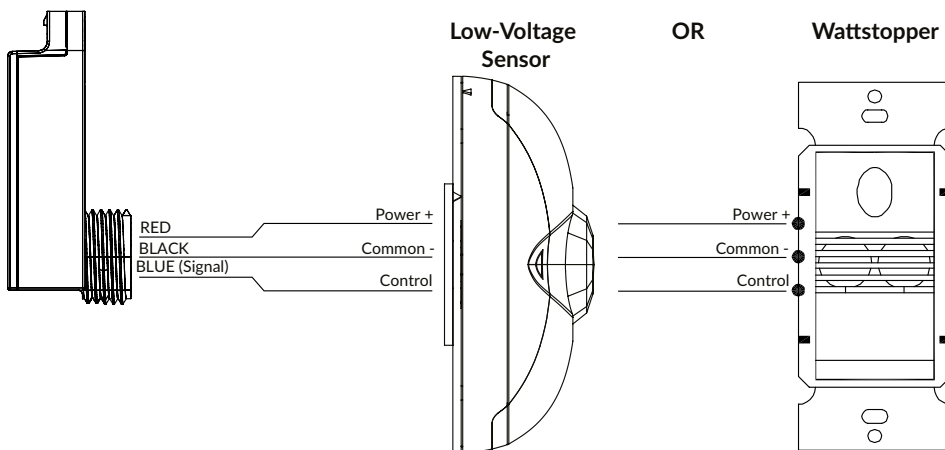


## Wiring Diagrams

### SIM Wiring

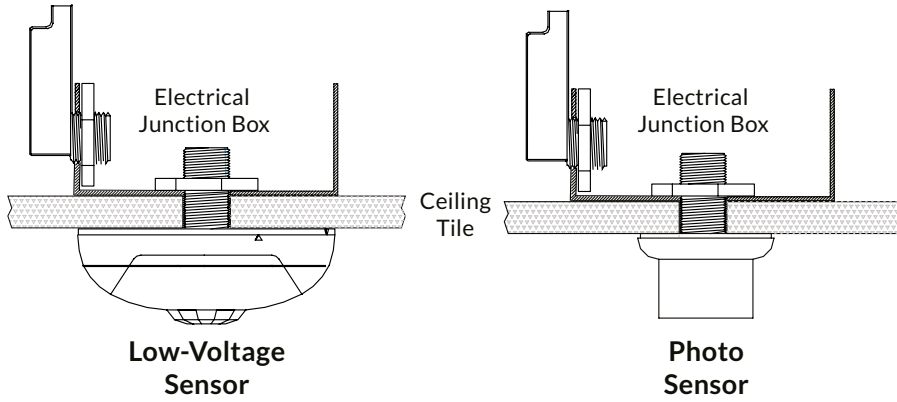


### SIM to Sensor Wiring



## Wiring Diagrams (cont.)

### SIM to Sensor Junction Box Wiring



## Mounting Option

### Junction Box Mount

