

SensiLUM

Wireless Integrated Sensor

Date: _____

Quantity: _____

Company: _____

Project: _____



The **SensiLUM** wireless integrated sensor family enables real-time occupancy detection, daylighting harvesting, and individual or group control of luminaires. Fully compatible with the Encelium X Lighting Control System, SensiLUM fits into an industry-standard PG-7 (0.5 inch) trade-size knockout in any luminaire.

SensiLUM sensors offer 0-10V dimming, and DEXAL (Data Exchange for Advanced Lighting) control options.

The SensiLUM together with Encelium X create a sensor-rich smart network that users can leverage as their technology infrastructure for entry into smart building and IoT applications.

Digital lighting solutions may qualify for commercial lighting rebates on new construction or retrofit projects.

Works with

- Encelium X
 - ▶ Wireless

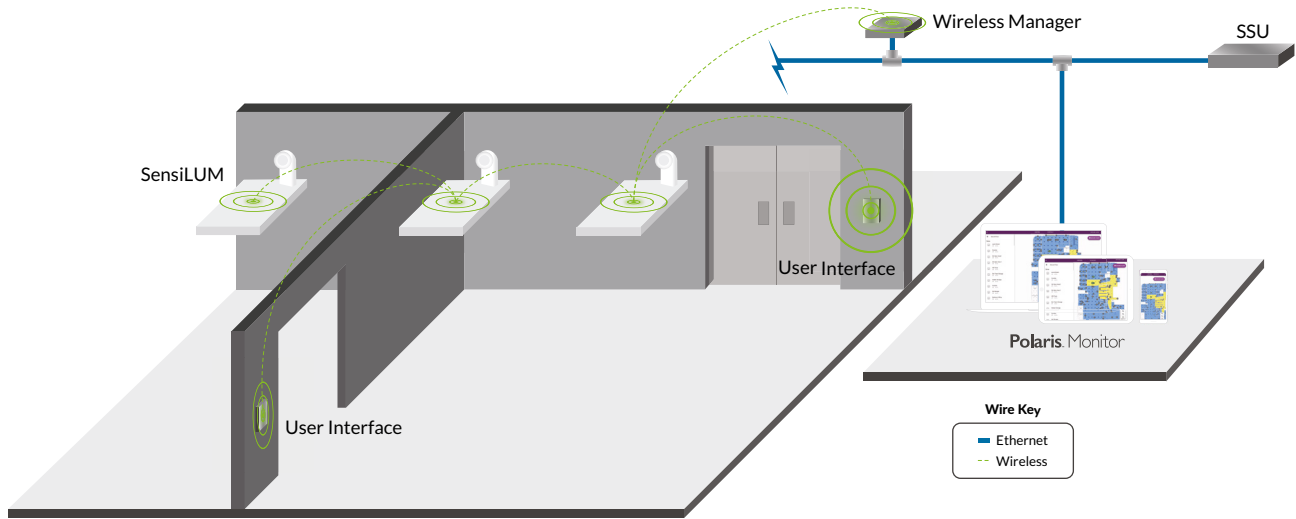


Key Features & Benefits

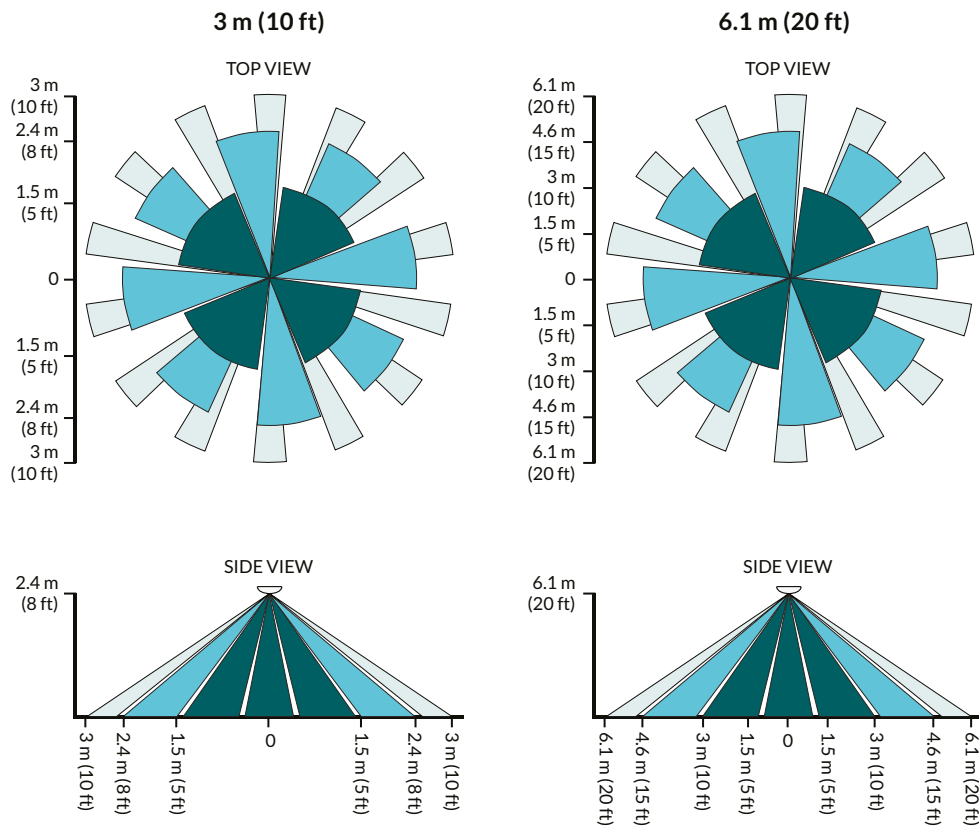
- Unique form factor enables easy integration in any architectural luminaire
- Enables occupancy detection and daylight harvesting
- Compatible with both 0-10V (with Dim-to-OFF) and DALI based LED drivers
- Seamlessly enable tunable white applications with luminaire integrated control for DALI Type 8 LED driver
- Adjustable dual-axis shutter allows end-user to fine-tune field of view
- UL924 Listed for Control of Emergency Lighting UL2043 Plenum Rated

Wireless System Overview

The SensiLUM Wireless Integrated Sensor allows luminaires to be wirelessly controlled. The Encelium X Wireless Manager sends dedicated commands wirelessly to each SensiLUM Sensor enabling individually controlled luminaires.



Sensor Coverage



Specifications

Sensing

- Passive Infrared (PIR) Sensor
- Photo Sensor

Control

- Wireless Communication

Control Options

- 0-10V / DALI / DEXAL¹
- Controls up to (4) DEXAL or (10) 0-10 V drivers

Wireless Range

- 45.7 m (150 ft) line of sight

ELECTRICAL

Operating Voltage

- 12-20V supplied from the LED driver

Operating Power

- <0.3 W in all operation

ENVIRONMENTAL

Ambient Temperature

- Ta maximum 60°C (140°F)

PHYSICAL

Dimensions (H x W x D)

- 21.47 x 62.15 x 32 mm (0.84 x 2.45 x 1.25 inches)

Weight

- 13 g (0.46 oz)

Housing Color

- White

Housing Material

- Nylon

Application Height

- Up to 6.1 m (20 ft)

Mounting Option

- Luminaire Mount (Standard PG-7 (0.5 inch) trade-size knockout)

Lifetime

- 150 K hours MTTF

Field View

- 100° field view coverage

Packaging

- QTY 30 pieces per case

WARRANTY

- Standard warranty is in effect for a period of five (5) years from the date of shipment.²

CERTIFICATIONS & SAFETY

Approbations

- UL Listed, Class 2, Plenum Rated
- UL2043 Plenum Rating
- FCC part 15 Class A

Environmental Suitability

- IP20



Ordering Information

Catalog Number	Description	Approbations	Communication Network	Dimming Protocol
EN-CLM-PIR-DD-ZB	SensiLUM Wireless Integrated Sensor	UL	Wireless	0-10V/DEXAL

Power Supply Compatibility

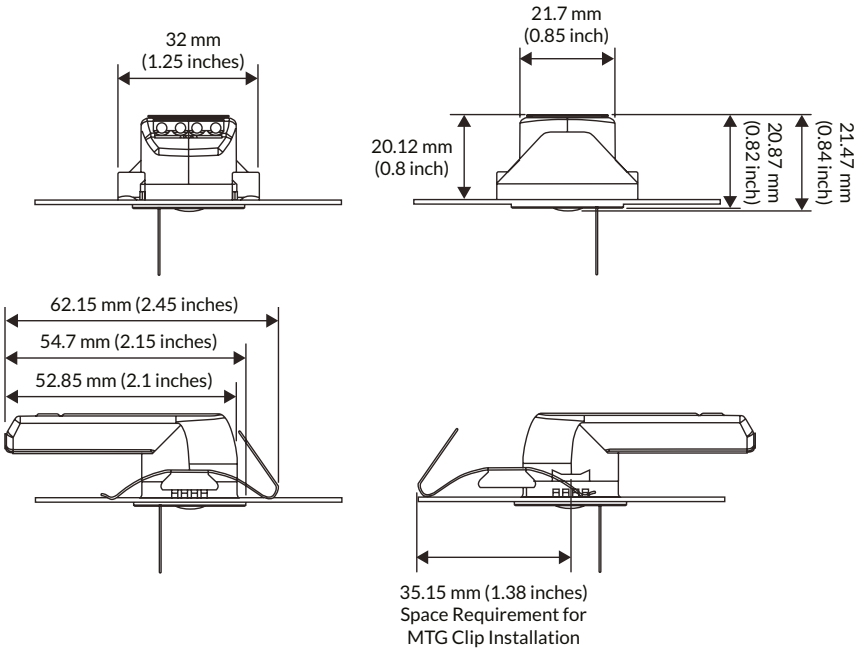
Linear (010V) AUX Models Only	OPTOTRONIC Driver Linear (DEXAL)	Compact (0-10V) AUX Models Only
OTi20W, OTi30W, OTi48W, OTi50W, OTi85W	OTi30W, OTi50W, OTi85W	OTi25W, OTi40W, OTi55W

Footnotes:

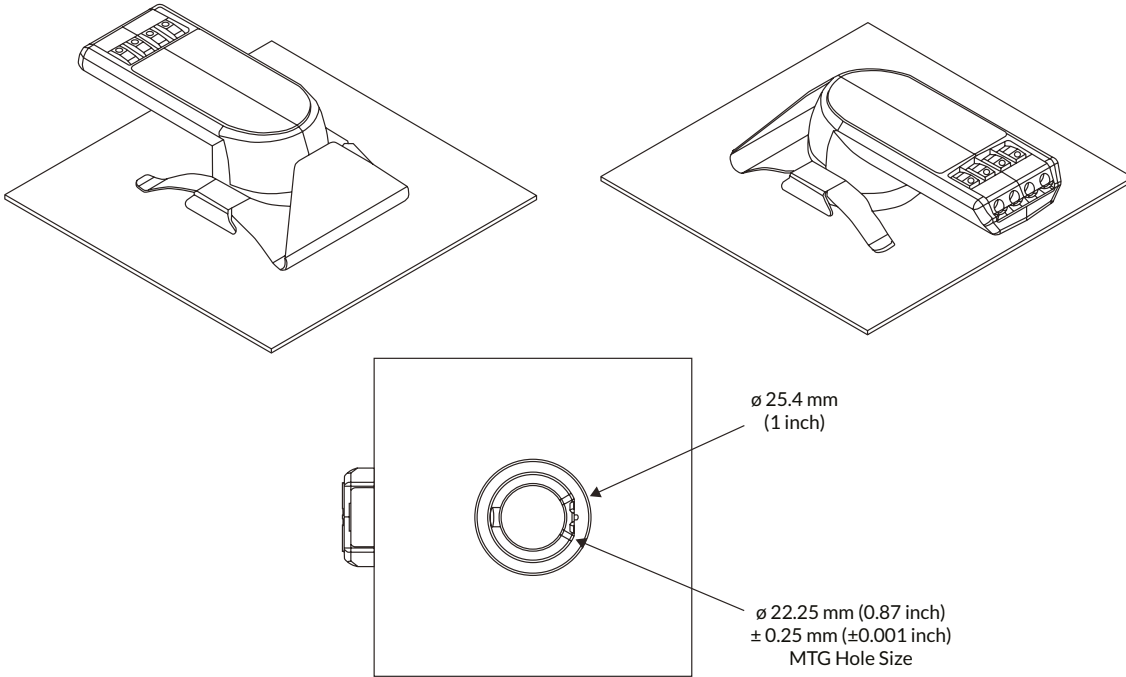
¹ The sensor auto-detects between a 0-10V and DEXAL LED driver.

² This does not apply to: (1) damage caused by accident, mishandling, or dropping; (2) materials which have been subject to unauthorized repair; (3) materials not used in accordance with instructions; (4) ordinary wear and tear.

Dimensions

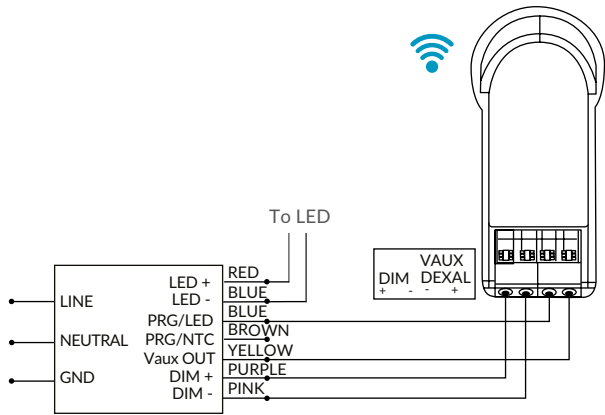


Installation Diagrams

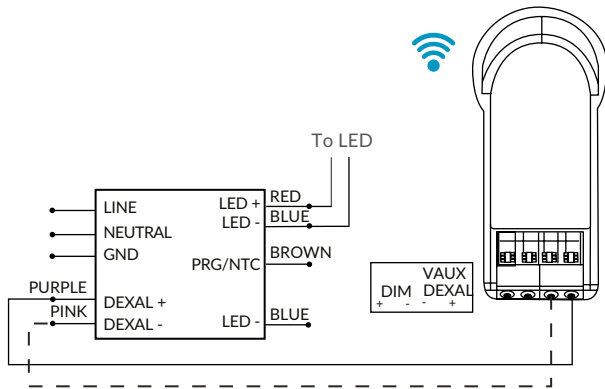


Wiring Diagrams

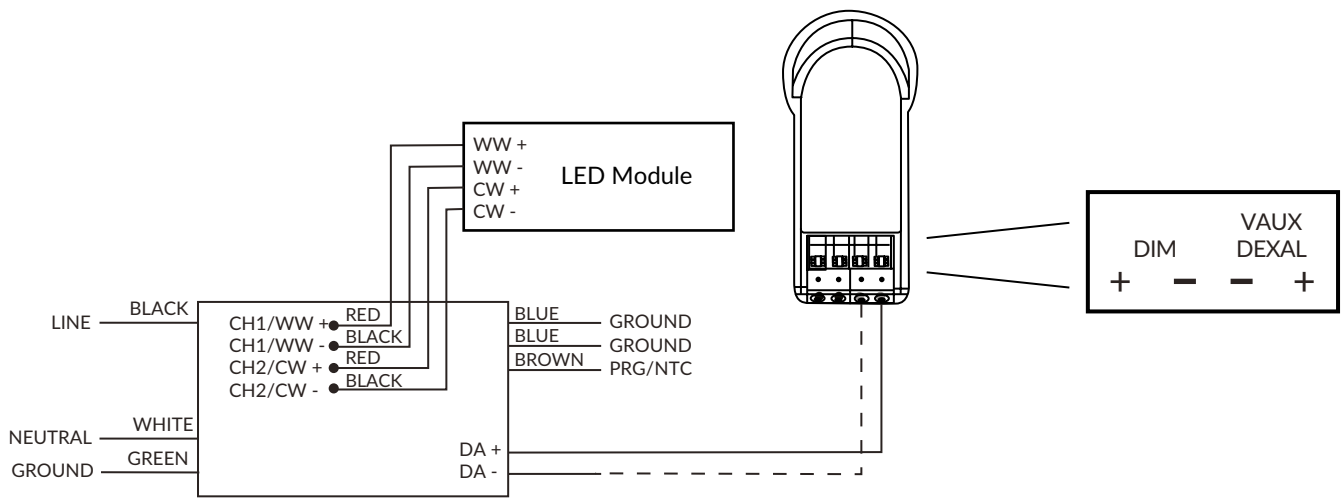
0-10V



DEXAL



Tunable White



LED Driver Configuration

Important: The LED driver must possess Dim-to-OFF capability, and it must be enabled when using with CLM DIM.

If Dim-to-OFF is not enabled, then the CLM DIM will not be able to turn the light fixture ON/OFF.

If using DALI based LED Power Supplies, the dim-to-off feature must be enabled in the programming software. The default state of dim-to-off feature is disabled for out-of-the-box products.

Note: Ensure the Auxiliary output is set to **12V**. If set above 12V the device may not perform its end of line testing.

